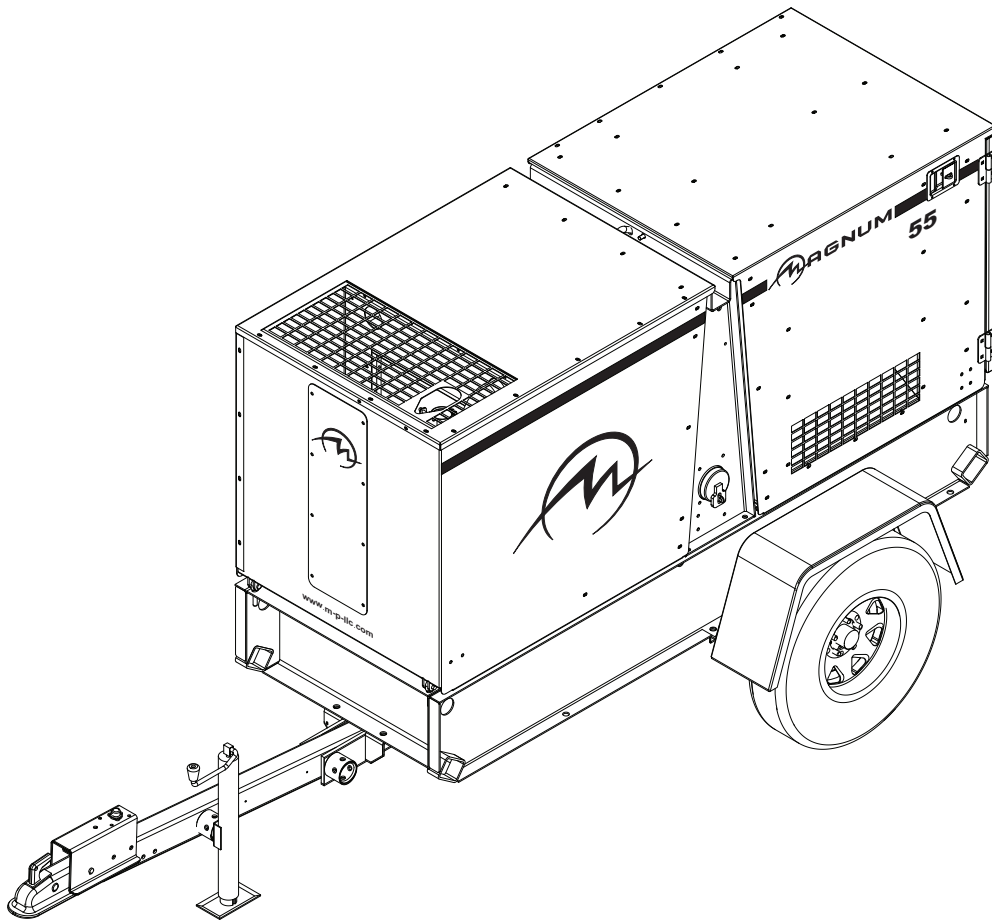




DIESEL GENERATOR
MMG25FHI • MMG35FHD
MMG45FHK • MMG55FHD



OPERATING MANUAL

Parts manuals available online! www.m-p-llc.com

INTRODUCTION

This manual provides information and procedures to safely operate and maintain the engine and generator. For your own safety and protection from physical injury, carefully read, understand, and observe the safety instructions described in this manual. *The information contained in this manual was based on machines in production at the time of publication. Magnum Power Products LLC reserves the right to change any portion of this information without notice.*

DO NOT MODIFY or use this equipment for any application other than which it was designed for.

Magnum Power Products LLC recommends that a trained and licensed professional perform all electrical wiring and testing functions. Any wiring should be in compliance with the United States National Electric Code (NEC), state and local codes, and Occupational Safety and Health Association (OSHA) guidelines.

Keep a copy of this manual with the unit at all times. Additional copies are available from Magnum Power Products LLC, or can be found at **www.m-p-llc.com**. An engine operator's manual is supplied with the unit at the time of shipment from the factory. The manual provides detailed operation and maintenance procedures for the engine. Additional copies of the engine operator's manual are available from the engine manufacturer.

MAGNUM POWER PRODUCTS LLC

215 Power Drive • Berlin, WI 54923

U.S.A.

Phone: 920-361-4442

FAX: 920-361-4416

Toll Free: 1-800-926-9768

www.m-p-llc.com

For technical or parts **QUESTIONS**, please contact the Magnum Power Products LLC Customer Support or Technical Support team at 1-800-926-9768. Please have your serial number available.

To **ORDER SERVICE PARTS**, please contact the dealer from which you purchased the unit, or call Magnum Power Products LLC to locate a dealer in your area.

Engine Make: _____

Engine Serial Number: _____

Engine Model Number: _____

Generator Make: _____

Generator Model Number: _____

Generator Serial Number: _____

Unit Model Number: _____

Unit Serial Number: _____

▲ WARNING

CALIFORNIA PROPOSITION 65 WARNING: Diesel engine exhaust and some of its constituents are known to the state of California to cause cancer, birth defects and other reproductive harm.

TABLE OF CONTENTS

	Page
INTRODUCTION	2
SAFETY NOTES	5
OPERATING SAFETY	5
ENGINE SAFETY	6
ELECTRICAL SAFETY	6
TOWING SAFETY	7
REPORTING TRAILER SAFETY DEFECTS	7
SAFETY SYMBOL SUMMARY	8
SPECIFICATIONS - MMG25FHI	9
SPECIFICATIONS - MMG35FHD	10
SPECIFICATIONS - MMG45FHK	11
SPECIFICATIONS - MMG55FHD	12
UNIT DIMENSIONS	13
UNIT SERIAL NUMBER LOCATIONS	14
COMPONENT LOCATIONS	15
MAIN CONTROL PANEL FEATURES	16
MAGNUM DIGITAL CONTROLLER (MDC)	18
DIGITAL CONTROLLER FEATURES AND FUNCTIONS	18
GENERATOR MONITORING	19
ENGINE MONITORING	20
WET STACKING	21
FINE VOLTAGE ADJUSTMENT	21
LOWERING THE TRAILER TONGUE	22
FRONT HOOD OPERATION	23
REAR HOOD OPERATION	24
PRE-START CHECKLIST	26
ENGINE BREAK-IN REQUIREMENTS	26
MANUAL STARTING OF THE GENERATOR	26
“AUTO” (REMOTE) STARTING OF THE GENERATOR	28
SHUTTING DOWN THE GENERATOR	29
MDC CONTROLLER INFORMATION DISPLAYS, FUNCTIONS AND RESET	29
MAGNUM DIGITAL CONTROLLER (MDC) – GENERATOR OPERATIONAL STATUS	29
MAGNUM DIGITAL CONTROLLER (MDC) - ALARM MANAGEMENT	30
MAGNUM DIGITAL CONTROLLER (MDC) - LIST OF ALARMS	30
MAGNUM DIGITAL CONTROLLER (MDC) – HISTORY	31
MMG ENGINE CONTROLLER	32
JOHN DEERE ECU INFORMATION DISPLAYS AND FUNCTIONS (MMG55FHD ONLY)	32
ADJUSTING THE DISPLAY BACKLIGHTING	33
RESETTING THE “TIME TO SERVICE” REMINDER	33
TROUBLESHOOTING AUTOMATIC SHUTDOWN CONDITIONS	33
GENERATOR OUTPUT CONNECTION LUGS	35
GENERATOR CAM LOCK CONNECTIONS OPTION	36
VOLTAGE SELECTOR SWITCH	37
4-POSITION VOLTAGE SELECTOR SWITCH OPTION	38
EMERGENCY STOP SWITCH	39
MAIN CIRCUIT BREAKER	39
VOLTAGE REGULATION	39
CUSTOMER CONVENIENCE OUTLETS	40
DERATING FOR ALTITUDE	40
REMOTE START TERMINAL BLOCK	40
TRANSFER SWITCH	41
AUTO EXERCISE TIMER	42
DAILY WALK AROUND INSPECTION	42
ENGINE AND GENERATOR MAINTENANCE	42
BASIC MAINTENANCE SCHEDULE - ISUZU ENGINE	43
BASIC MAINTENANCE SCHEDULE - KUBOTA ENGINE	44

BASIC MAINTENANCE SCHEDULE - JOHN DEERE ENGINE	45
BELT TENSIONERS	46
LIFTING THE GENERATOR.....	46
TOWING THE TRAILER	46
TRAILER WHEEL BEARINGS	46
JACK MAINTENANCE	47
CHECKING GENERATOR DRIVE PLATE TORQUE	47
AUXILIARY FUEL TANK OPTION	48
FUEL TRANSFER PUMP OPTION	48
VISCOUS FAN CLUTCH OPTION	48
AC WIRING DIAGRAM	49
AC WIRING DIAGRAM - 4-POSITION VOLTAGE SELECTOR SWITCH OPTION	50
AC WIRING DIAGRAMS FOR OPTIONAL EQUIPMENT	51
DC WIRING DIAGRAM - MMG25FHI	52
DC WIRING DIAGRAM - MMG35FHD, MMG45FHK.....	53
DC WIRING DIAGRAM - MMG55FHD	54
DC WIRING DIAGRAMS FOR OPTIONAL EQUIPMENT.....	55
WIRING BLOCK DIAGRAM - DEDICATED 12 LEAD GENERATORS OPTION	56
TRAILER LIGHTS WIRING DIAGRAM	57
WIRING HARNESS - ELECTRIC BRAKE OPTION	58
SERVICE LOG	59

SAFETY NOTES



This is the safety alert symbol. It is used to alert you to potential personal injury hazards. Obey all safety messages that follow this symbol to avoid possible injury or death.

This manual contains **DANGERS, WARNINGS, CAUTIONS, NOTICES** and **NOTES** which must be followed to prevent the possibility of improper service, damage to the equipment, personal injury or death. The following formatting options will apply when calling the readers attention to the **DANGERS, WARNINGS, CAUTIONS, NOTICES** and **NOTES**.

▲ DANGER

INDICATES A HAZARDOUS SITUATION WHICH, IF NOT AVOIDED, WILL RESULT IN DEATH OR SERIOUS INJURY.

▲ WARNING

Indicates a hazardous situation which, if not avoided, could result in death or serious injury.

▲ CAUTION

Indicates a hazardous situation which, if not avoided, may result in minor or moderate injury.

NOTICE

Indicates a hazardous situation which, if not avoided, may result in property or equipment damage.

***Note:** Notes contain additional information important to a procedure and will be found within the regular text body of this manual.*

OPERATING SAFETY



Before using the generator be sure to read and understand all of the instructions! This equipment was designed for specific applications; **DO NOT** modify or use this equipment for any application other than which it was designed for. Equipment operated improperly or by untrained personnel can be dangerous! Read the operating instructions and familiarize yourself with the location and proper use of all instruments and controls. Inexperienced operators should receive instruction from someone familiar with the equipment before being allowed to operate or set up the generator. The following points should be practiced at all times:

- The area immediately surrounding the generator should be dry, clean, and free of debris.
- **NEVER** start a unit in need of repair.
- Make certain the generator is securely fastened to a good earthen ground before use.
- **NEVER** operate unit on a combustible surface.
- **NEVER** operate the generator if any of the following conditions exist during operation:
 1. Noticeable change in engine speed.
 2. Loss of electrical output.
 3. Equipment connected to the generator overheats.
 4. Sparking occurs.
 5. Engine misfires or there is excessive engine/generator vibration.
 6. Protective covers are loose or missing.
 7. If the ambient air temperature is above 120°F (49°C).
- Make sure slings, chains, hooks, ramps, jacks, and other types of lifting devices are attached securely and have enough weight-bearing capacity to lift or hold the equipment safely. Always remain aware of the position of other people around you when lifting the equipment.
- **NEVER** operate a unit while tired, distracted, or under the influence of drugs or alcohol.

ENGINE SAFETY



Internal combustion engines present special hazards during operation and fueling! Failure to follow the safety guidelines described below could result in severe injury or death. Read and follow all safety warnings described in the engine operator's manual. A copy of this manual was supplied with unit when it was shipped from the factory.

- **DO NOT** run engine indoors or in an area with poor ventilation. Diesel engine exhaust contains carbon monoxide, a deadly, odorless and colorless gas which, if inhaled, can cause nausea, fainting or death. Only use this unit outside and away from windows, doors, and ventilation equipment.
- **DO NOT** fill fuel tank near an open flame, while smoking, or while engine is running. **DO NOT** fill tank in an enclosed area with poor ventilation.
- **DO NOT** operate with the fuel tank cap loose or missing.
- **DO NOT** touch or lean against hot exhaust pipes or engine cylinders.
- **DO NOT** clean air filter with gasoline or other types of low flash point solvents.
- **DO NOT** remove engine coolant cap while engine is hot.
- **DO NOT** operate the unit without a functional exhaust system. Prolonged exposure to sound levels in excess of 85 dB(A) can cause permanent hearing loss. Wear hearing protection when working around a running engine.
- Keep hands, feet and loose clothing away from moving parts on the generator and engine.
- Keep area around exhaust pipes and air ducts free of debris to reduce the chance of an accidental fire.
- Batteries contain sulfuric acid which can cause severe injury or death. Sulfuric acid can cause eye damage, burn flesh or eat holes in clothing. Protective eye wear and clothing are necessary when working on or around the battery. Always disconnect the **NEGATIVE** (-) battery cable from the corresponding terminal before performing any service on the engine or other components.

ELECTRICAL SAFETY



The unit is powered by a generator driven by a diesel engine. While the engine is running, potentially lethal voltages are present at the 120V Ground Fault Circuit Interrupt (GFCI) outlets and the 240V twist-lock outlets located on the control panel, and at the connection lugs and optional cam lock receptacles. Failure to follow the safety guidelines described below could result in severe injury or death.

- Only a qualified and licensed electrician should make connections to the generator.
- **NEVER** wash the unit with any high pressure hoses or power washers.
- **NEVER** start the unit under load. The circuit breakers must be in the "OFF" position when starting the unit in "MANUAL" mode. The circuit breakers can be in the "ON" position only when started in the "AUTO" mode. A transfer switch must be used in the "AUTO" mode to deflect the load upon startup.
- **ALWAYS** disconnect the **NEGATIVE** (-) battery cable from the corresponding terminal before performing any service on the engine, generator or any other components. Remove the **NEGATIVE** (-) battery cable from the corresponding terminal if the unit is to be stored or transported.
- **ALWAYS** use extreme caution when servicing this unit in damp conditions. Do not service the unit if your skin or clothing is wet. Do not allow water to collect around the base of the unit.
- **ALWAYS** connect the unit to a good earthen ground before use. Follow any local, state or United States National Electric Code (NEC) guidelines.

TOWING SAFETY



Towing a trailer requires care! Both the trailer and vehicle must be in good condition and securely fastened to each other to reduce the possibility of an accident. Also, some states require that large trailers be registered and licensed. Contact your local Department of Transportation office to check on license requirements for your particular unit.

- Check that the hitch and coupling on the towing vehicle are rated equal to, or greater than, the trailer's Gross Vehicle Weight Rating (GVWR).
- Check tires on trailer for tread wear, inflation, and condition.
- **NEVER** tow trailer using defective parts! Inspect the hitch and coupling for wear or damage.
- Make sure the trailer hitch and the coupling are compatible. Make sure the coupling is securely fastened to the vehicle.
- Connect safety chains in a crossing pattern under the tongue and **ATTACH THE BREAKAWAY CABLE TO THE REAR BUMPER OF THE TOWING VEHICLE**. Do not attach the cable to the trailer hitch.
- Make sure directional and brake lights on the trailer are connected and working properly.
- Check that lug nuts holding wheels are tight and that none are missing.
- Maximum recommended speed for highway towing is 45 mph (72 km/h). Recommended off-road towing speed is not to exceed 10 mph (16 km/h) or less, depending on terrain.

Before towing the trailer, check that the weight of the trailer is equal across all tires. On trailers with adjustable height hitches, adjust the angle of the trailer tongue to keep the trailer as level as possible. On units equipped with a tandem axle trailer, a large angle between the trailer and tow vehicle will cause more weight to be carried by one axle, which could cause premature wear on the tires and axles and cause potentially unsafe operating conditions.

The trailer is equipped with hydraulic surge brakes or electric surge brakes. Check the operation of the brakes by braking the vehicle at a slow speed before entering traffic. Both the trailer and the vehicle should brake smoothly. If the trailer seems to be pushing, check the level in the surge brake fluid reservoir.

When towing, maintain extra space between vehicles and avoid soft shoulders, curbs and sudden lane changes. If you have not pulled a trailer before, practice turning, stopping, and backing up in an area away from heavy traffic.

A film of grease on the coupler will extend coupler life and eliminate squeaking. Wipe the coupler clean and apply fresh grease each time the trailer is towed.

REPORTING TRAILER SAFETY DEFECTS

If you believe your trailer has a defect which could cause a crash or could cause injury or death, you should immediately inform the National Highway Traffic Safety Administration (NHTSA) in addition to notifying Magnum Power Products LLC.

If NHTSA receives similar complaints, it may open an investigation; and if it finds that a safety defect exists in a group of vehicles, it may order a recall and remedy campaign. However, NHTSA cannot become involved in individual problems between you, your dealer, or Magnum Power Products LLC.

To contact NHTSA, you may either call the Auto Safety Hotline toll-free at 1-888-327-4236 (TTY:1-800-424-9153), go to <http://www.safercar.gov>; or write to:

Administrator
NHTSA
1200 New Jersey Avenue S.E.
Washington, DC 20590

You can also obtain other information about motor vehicle safety from <http://www.safercar.gov>.

SAFETY SYMBOL SUMMARY

This equipment has been supplied with numerous safety and operating decals. These decals provide important operating instructions and warn of dangers and hazards. Replace any missing or hard-to-read decals and use care when washing or cleaning the unit. Decal placement and part numbers can be found in the parts manual. Below is a summary of the intended meanings for the symbols used on the decals.

	Safety alert symbol; used to alert you to potential personal injury hazards.		Asphyxiation hazard; operate in well ventilated area.
	Hot surface(s) nearby.		Dangerous voltage may be present.
	Belt/entanglement hazard; keep body parts clear of this area.		Anchor/tie down point.
	Fan hazard; keep body parts clear of this area.		Isolate generator to prevent electrocution hazard.
	Pinch/crush hazard; keep body parts clear of this area.		Use clean diesel fuel only.
	Never change position of voltage selector switch while engine is running.		Remove negative battery cable before performing any service on unit.
	Stop engine before making connections.		Read and understand the supplied operator's manual before operating unit.
	Stop engine before fueling.		Unit electrical ground.
	Hearing protection required while operating unit with doors open.		Fire/explosion hazard; keep open flames away from unit.
	Lift here only.		Burn/scald hazard; pressurized steam.
	Engine running.		

SPECIFICATIONS - MMG25FHI

Read this manual carefully before attempting to use this generator. The potential for property damage, personal injury or death exists if this equipment is misused or installed incorrectly. Read all of the manuals included with this unit. Each manual details specific information regarding items such as setup, use and service requirements. **SPECIFICATIONS ARE SUBJECT TO CHANGE WITHOUT NOTICE.**

MAGNUM MODEL	MMG25FHI	MMG25FHI Super Start
Engine		
Make/Brand.....	Isuzu	Isuzu
Model	4LE1NYGV-03	4LE1NYGV-03
Horsepower - prime hp (kW)	32.1 (23.9).....	32.1 (23.9)
Horsepower - standby hp (kW)	35.3 (26.3).....	35.3 (26.3)
Operating Speed rpm	1800	1800
Displacement in³ (L)	134 (2.2).....	134 (2.2)
Cylinders - qty	4	4
Fuel Consumption - 100% prime gph (Lph)	1.8 (6.8).....	1.8 (6.8)
Battery Type	Group 24	Group 24
Battery Voltage (Quantity per Unit)	12V (1)	12V (1)
Battery Rating	720 CCA	720 CCA
Generator		
Make/Brand.....	Marathon Electric.....	Marathon Electric
Model	282PSL1505 (1705).....	283PSL1507 (1707)
Type, Insulation	Brushless, H.....	Brushless, H
Generator Set (Engine/Generator)		
3Ø - Standby kW (kVA)	20 (25).....	22 (27)
Amps - 3Ø Standby 480V (208V) A	30 (69).....	32 (75)
3Ø - Prime kW (kVA)	18 (23).....	19 (24)
Amps - 3Ø Prime 480V (208V) A	28 (64).....	29 (67)
1Ø - Standby kW (kVA)	16 (16).....	21 (21)
Amps - 1Ø Standby - 240V A	67	88
1Ø - Prime kW (kVA)	15 (15).....	19 (19)
Amps - 1Ø Prime - 240V A	63	79
Frequency Hz	60	60
Power Factor.....	1 (1Ø), 0.8 (3Ø).....	1 (1Ø), 0.8 (3Ø)
Sound dB(A) 23 ft @ prime	66	66
Weights		
Dry Weight, Skid Mounted lbs (kg)	2048 (929).....	2139 (970)
Operating Weight, Skid Mounted lbs (kg)	2517 (1142).....	2608 (1183)
Dry Weight, Trailer Mounted* lbs (kg)	2289 (1038).....	2380 (1080)
Operating Weight, Trailer Mounted* lbs (kg)	2758 (1251).....	2849 (1292)
*Standard single axle trailer only. Consult factory for dual axle or custom trailer weights.		
Capacities		
Fuel Tank Volume gal (L)	106 (401).....	106 (401)
Usable Fuel Volume gal (L)	95 (360).....	95 (360)
Coolant (incl. engine) qt (L)	12.0 (11.4).....	12.0 (11.4)
Oil (incl. filter) qt (L)	8.6 (8.1).....	8.6 (8.1)
Maximum Run Time hrs	45.4	45.4
AC Distribution		
Circuit Breaker Size	90	90
Voltage Selection	3 Position Switch (lockable).....	3 Position Switch (lockable)
Voltage Regulation.....	+/- 1%	+/-1%
Voltages Available 1Ø.....	120, 139, 208, 220, 240, 277	120, 139, 208, 220, 240, 277
Voltages Available 3Ø.....	208, 220, 440, 480	208, 220, 440, 480
Trailer		
Number of Axles	1	1
Capacity - Axle Rating lbs (kg)	3500 (1588).....	3500 (1588)
Tire Size in	15	15
Brakes.....	N/A	N/A
Hitch - Standard	2" Ball.....	2" Ball
Maximum Tire Pressure psi	50	50

SPECIFICATIONS - MMG35FHD

Read this manual carefully before attempting to use this generator. The potential for property damage, personal injury or death exists if this equipment is misused or installed incorrectly. Read all of the manuals included with this unit. Each manual details specific information regarding items such as setup, use and service requirements. **SPECIFICATIONS ARE SUBJECT TO CHANGE WITHOUT NOTICE.**

MAGNUM MODEL	MMG35FHD	MMG35FHD Super Start
Engine		
Make/Brand.....	John Deere	John Deere
Model	PE4024TF281	PE4024TF281
Horsepower - prime hp (kW)	43 (32).....	43 (32)
Horsepower - standby hp (kW)	48 (36).....	48 (36)
Operating Speed rpm	1800	1800
Displacement in³ (L)	149 (2.4).....	149 (2.4)
Cylinders - qty	4	4
Fuel Consumption - 100% prime gph (Lph)	2.6 (9.8).....	2.6 (9.8)
Battery Type	Group 24	Group 24
Battery Voltage (Quantity per Unit)	12V (1)	12V (1)
Battery Rating	720 CCA	720 CCA
Generator		
Make/Brand.....	Marathon Electric.....	Marathon Electric
Model	283PSL1507 (1707).....	284CSL1542 (1742)
Type, Insulation	Brushless, H.....	Brushless, H
Generator Set (Engine/Generator)		
3Ø - Standby kW (kVA)	29 (36).....	30 (38)
Amps - 3Ø Standby 480V (208V) A	43 (100).....	46 (105)
3Ø - Prime kW (kVA)	26 (33).....	27 (34)
Amps - 3Ø Prime 480V (208V) A	40 (92).....	41 (94)
1Ø - Standby kW (kVA)	26 (26).....	29 (29)
Amps - 1Ø Standby - 240V A	108.....	121
1Ø - Prime kW (kVA)	25 (25).....	26 (26)
Amps - 1Ø Prime - 240V A	104.....	108
Frequency Hz	60.....	60
Power Factor.....	1 (1Ø), 0.8 (3Ø).....	1 (1Ø), 0.8 (3Ø)
Sound dB(A) 23 ft @ prime	68.....	68
Weights		
Dry Weight, Skid Mounted lbs (kg)	2020 (916).....	2074 (941)
Operating Weight, Skid Mounted lbs (kg)	2475 (1123).....	2529 (1147)
Dry Weight, Trailer Mounted* lbs (kg)	2540 (1152).....	2594 (1177)
Operating Weight, Trailer Mounted* lbs (kg)	2990 (1356).....	3044 (1381)
*Standard single axle trailer only. Consult factory for dual axle or custom trailer weights.		
Capacities		
Fuel Tank Volume gal (L)	106 (401).....	106 (401)
Usable Fuel Volume gal (L)	95 (360).....	95 (360)
Coolant (incl. engine) qt (L)	16.0 (15.1).....	16.0 (15.1)
Oil (incl. filter) qt (L)	8.5 (8.0).....	8.5 (8.0)
Maximum Run Time hrs	36.9	36.9
AC Distribution		
Circuit Breaker Size	125.....	125
Voltage Selection	3 Position Switch (lockable).....	3 Position Switch (lockable)
Voltage Regulation.....	+/- 1%	+/-1%
Voltages Available 1Ø.....	120, 139, 208, 220, 240, 277	120, 139, 208, 220, 240, 277
Voltages Available 3Ø.....	208, 220, 440, 480	208, 220, 440, 480
Trailer		
Number of Axles	1	1
Capacity - Axle Rating lbs (kg)	3500 (1588).....	3500 (1588)
Tire Size in	15	15
Brakes.....	Surge	Surge
Hitch - Standard	2" Ball.....	2" Ball
Maximum Tire Pressure psi	50	50

SPECIFICATIONS - MMG45FHK

Read this manual carefully before attempting to use this generator. The potential for property damage, personal injury or death exists if this equipment is misused or installed incorrectly. Read all of the manuals included with this unit. Each manual details specific information regarding items such as setup, use and service requirements. **SPECIFICATIONS ARE SUBJECT TO CHANGE WITHOUT NOTICE.**

MAGNUM MODEL	MMG45FHK	MMG45FHK Super Start
Engine		
Make/Brand.....	Kubota.....	Kubota
Model	V3600-T-E3BG.....	V3600-T-E3BG
Horsepower - prime hp (kW)	53 (39).....	53 (39)
Horsepower - standby hp (kW)	58 (43).....	58 (43)
Operating Speed rpm	1800	1800
Displacement in³ (L)	221 (3.6).....	221 (3.6)
Cylinders - qty	4	4
Fuel Consumption - 100% prime gph (Lph)	3.0 (11.4).....	3.0 (11.4)
Battery Type	Group 24.....	Group 24
Battery Voltage (Quantity per Unit)	12V (1).....	12V (1)
Battery Rating	720 CCA	720 CCA
Generator		
Make/Brand.....	Marathon Electric.....	Marathon Electric
Model	284PSL1508 (1708).....	286PSL1701
Type, Insulation	Brushless, H.....	Brushless, H
Generator Set (Engine/Generator)		
3Ø - Standby kW (kVA)	35 (44).....	38 (47)
Amps - 3Ø Standby 480V (208V) A	53 (122).....	57 (130)
3Ø - Prime kW (kVA)	33 (41).....	34 (43)
Amps - 3Ø Prime 480V (208V) A	49 (114).....	52 (119)
1Ø - Standby kW (kVA)	33 (33).....	36 (36)
Amps - 1Ø Standby - 240V A	138.....	150
1Ø - Prime kW (kVA)	30 (30).....	33 (33)
Amps - 1Ø Prime - 240V A	125.....	138
Frequency Hz	60.....	60
Power Factor.....	1 (1Ø), 0.8 (3Ø).....	1 (1Ø), 0.8 (3Ø)
Sound dB(A) 23 ft @ prime	68.....	68
Weights		
Dry Weight, Skid Mounted lbs (kg)	2329 (1056).....	2524 (1145)
Operating Weight, Skid Mounted lbs (kg)	3082 (1398).....	3277 (1486)
Dry Weight, Trailer Mounted* lbs (kg)	2853 (1294).....	3048 (1383)
Operating Weight, Trailer Mounted* lbs (kg)	3606 (1636).....	3801 (1724)
*Standard single axle trailer only. Consult factory for dual axle or custom trailer weights.		
Capacities		
Fuel Tank Volume gal (L)	106 (401).....	106 (401)
Usable Fuel Volume gal (L)	95 (360).....	95 (360)
Coolant (incl. engine) qt (L)	17.5 (16.6).....	17.5 (16.6)
Oil (incl. filter) qt (L)	14.5 (13.7).....	14.5 (13.7)
Maximum Run Time hrs	31.....	31
AC Distribution		
Circuit Breaker Size	200.....	200
Voltage Selection	3 Position Switch (lockable).....	3 Position Switch (lockable)
Voltage Regulation.....	+/- 1%	+/-1%
Voltages Available 1Ø.....	120, 139, 208, 220, 240, 277	120, 139, 208, 220, 240, 277
Voltages Available 3Ø.....	208, 220, 440, 480	208, 220, 440, 480
Trailer		
Number of Axles	1.....	1
Capacity - Axle Rating lbs (kg)	5000 (2268).....	5000 (2268)
Tire Size in	15.....	15
Brakes.....	Surge	Surge
Hitch - Standard	2" Ball.....	2" Ball
Maximum Tire Pressure psi	65.....	65

SPECIFICATIONS - MMG55FHD

Read this manual carefully before attempting to use this generator. The potential for property damage, personal injury or death exists if this equipment is misused or installed incorrectly. Read all of the manuals included with this unit. Each manual details specific information regarding items such as setup, use and service requirements. **SPECIFICATIONS ARE SUBJECT TO CHANGE WITHOUT NOTICE.**

MAGNUM MODEL	MMG55FHD	MMG55FHD Super Start
Engine		
Make/Brand.....	John Deere	John Deere
Model	PE4024HF285	PE4024HF285
Horsepower - prime hp (kW)	74 (55).....	74 (55)
Horsepower - standby hp (kW)	80 (60).....	80 (60)
Operating Speed rpm	1800	1800
Displacement in³ (L)	149 (2.4).....	149 (2.4)
Cylinders - qty	4	4
Fuel Consumption - 100% prime gph (Lph)	3.6 (13.6).....	3.6 (13.6)
Battery Type	Group 24	Group 24
Battery Voltage (Quantity per Unit)	12V (1)	12V (1)
Battery Rating	720 CCA	720 CCA
Generator		
Make/Brand.....	Marathon Electric.....	Marathon Electric
Model	286PSL1701	287PSL1702
Type, Insulation	Brushless, H.....	Brushless, H
Generator Set (Engine/Generator)		
3Ø - Standby kW (kVA)	50 (63).....	51 (64)
Amps - 3Ø Standby 480V (208V) A	78 (180).....	78 (180)
3Ø - Prime kW (kVA)	47 (59).....	47 (59)
Amps - 3Ø Prime 480V (208V) A	71 (164).....	71 (164)
1Ø - Standby kW (kVA)	49 (49).....	50 (50)
Amps - 1Ø Standby - 240V A	204	208
1Ø - Prime kW (kVA)	46 (46).....	46 (46)
Amps - 1Ø Prime - 240V A	188	188
Frequency Hz	60	60
Power Factor.....	1 (1Ø), 0.8 (3Ø).....	1 (1Ø), 0.8 (3Ø)
Sound dB(A) 23 ft @ prime	68	68
Weights		
Dry Weight, Skid Mounted lbs (kg)	2570 (1170).....	2640 (1197)
Operating Weight, Skid Mounted lbs (kg)	3255 (1480).....	3325 (1508)
Dry Weight, Trailer Mounted* lbs (kg)	3050 (1384).....	3160 (1433)
Operating Weight, Trailer Mounted* lbs (kg)	3770 (1710).....	3840 (1742)
*Standard single axle trailer only. Consult factory for dual axle or custom trailer weights.		
Capacities		
Fuel Tank Volume gal (L)	106 (401).....	106 (401)
Usable Fuel Volume gal (L)	95 (360).....	95 (360)
Coolant (incl. engine) qt (L)	18 (17).....	18 (17)
Oil (incl. filter) qt (L)	8.5 (8.0).....	8.5 (8.0)
Maximum Run Time hrs	28.5	28.5
AC Distribution		
Circuit Breaker Size	225	225
Voltage Selection	3 Position Switch (lockable).....	3 Position Switch (lockable)
Voltage Regulation.....	+/- 1%	+/-1%
Voltages Available 1Ø.....	120, 139, 208, 220, 240, 277	120, 139, 208, 220, 240, 277
Voltages Available 3Ø.....	208, 220, 440, 480	208, 220, 440, 480
Trailer		
Number of Axles	1	1
Capacity - Axle Rating lbs (kg)	5000 (2268).....	5000 (2268)
Tire Size in	15	15
Brakes.....	Surge	Surge
Hitch - Standard	2" Ball.....	2" Ball
Maximum Tire Pressure psi	65	65

UNIT DIMENSIONS

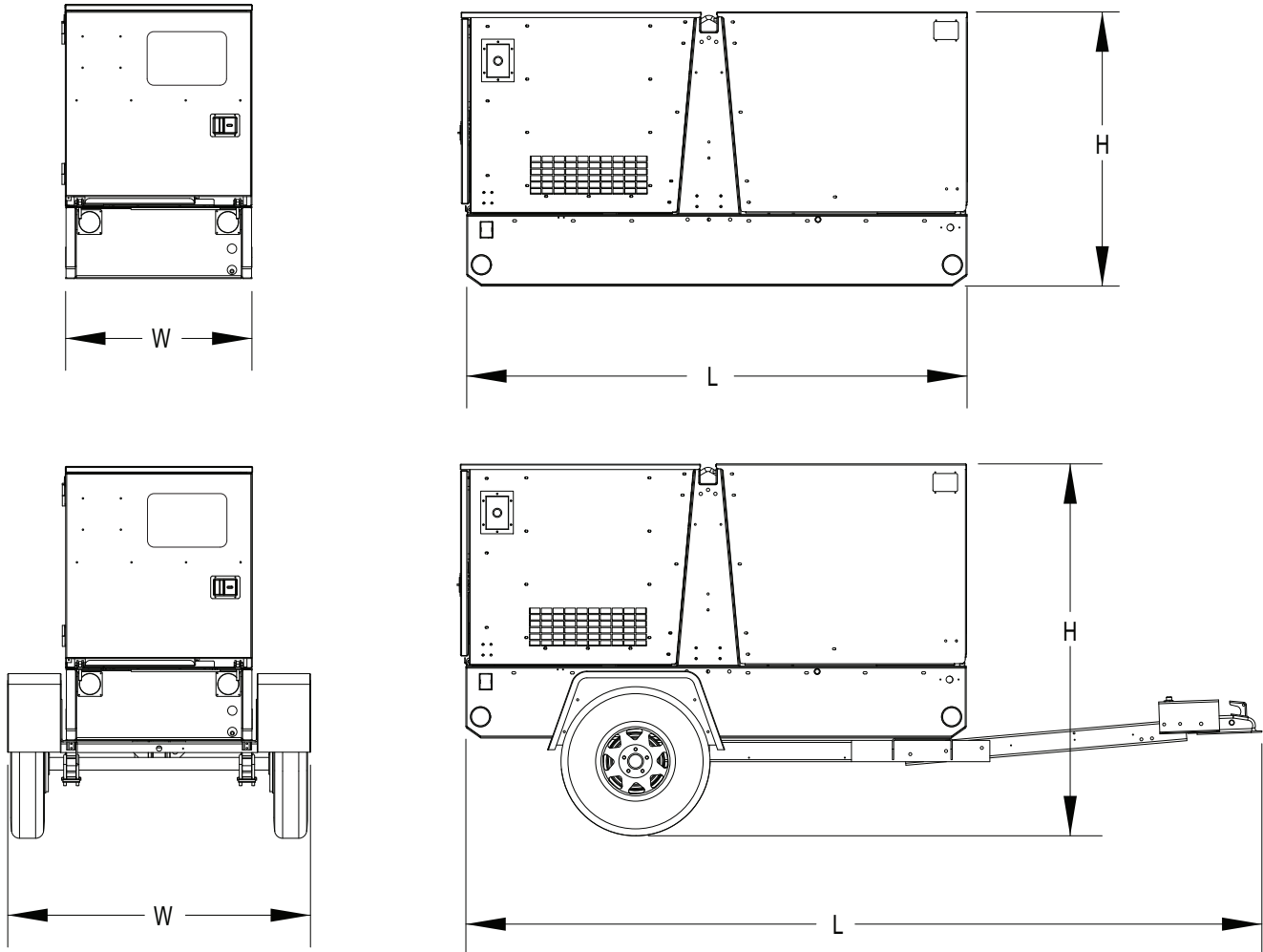
Read this manual carefully before attempting to use this generator. The potential for property damage, personal injury or death exists if this equipment is misused or installed incorrectly. Read all of the manuals included with this unit. Each manual details specific information regarding items such as set up, use and service requirements. **SPECIFICATIONS ARE SUBJECT TO CHANGE WITHOUT NOTICE.**

MAGNUM MODELS

**MMG25FHI/MMG35FHD/
MMG45FHK/MMG55FHD**

Dimensions (L x W x H)

Skid Mounted in (m)	95 x 35 x 52 (2.41 x 0.89 x 1.32)
Trailer Mounted in (m)	150 x 57 x 67 (3.81 x 1.45 x 1.70)



UNIT SERIAL NUMBER LOCATIONS

Refer to the locations illustrated below to find the unit ID tag and VIN tag on your unit. Important information, such as the unit serial number, model number and Vehicle Identification Number (VIN) for your trailer are found on these tags. Record the information from these tags, so it is available if the tags are lost or damaged. When ordering parts or requesting technical service information, you may be asked to provide this information.

UNIT ID Tag

Manufactured by
MAGNUM POWER PRODUCTS LLC
 A wholly owned subsidiary of
 Generac Power Systems, Inc.
 215 Power Drive • Berlin, WI 54923
 1-800-926-9768

Model Serial Number

Mfg. Code

Skidded WT (lbs/kg) rpm/freq

1 ph. 1.0PF 3 ph. .8PF 3 ph. 1.0PF


KW

KVA

V

A

RATING insul. class

 FOR ELECTRICAL EQUIPMENT ONLY. POUR MATERIAL ELECTRIQUE SEULEMENT.

Located on control panel.

VIN Tag

MANUFACTURED BY/FABRIQUE PAR: Magnum Power Products LLC DATE: 00/0000
 GVWR/PNBV: 000KG (0000LBS) COLD INF. PRESS./PRESS. DE
 GAWR / PNBE TIRE / PNEU RIM / JANTE GONF A FROID - KPA(PSI/LPC) SGL / DUAL

EACH AXLE

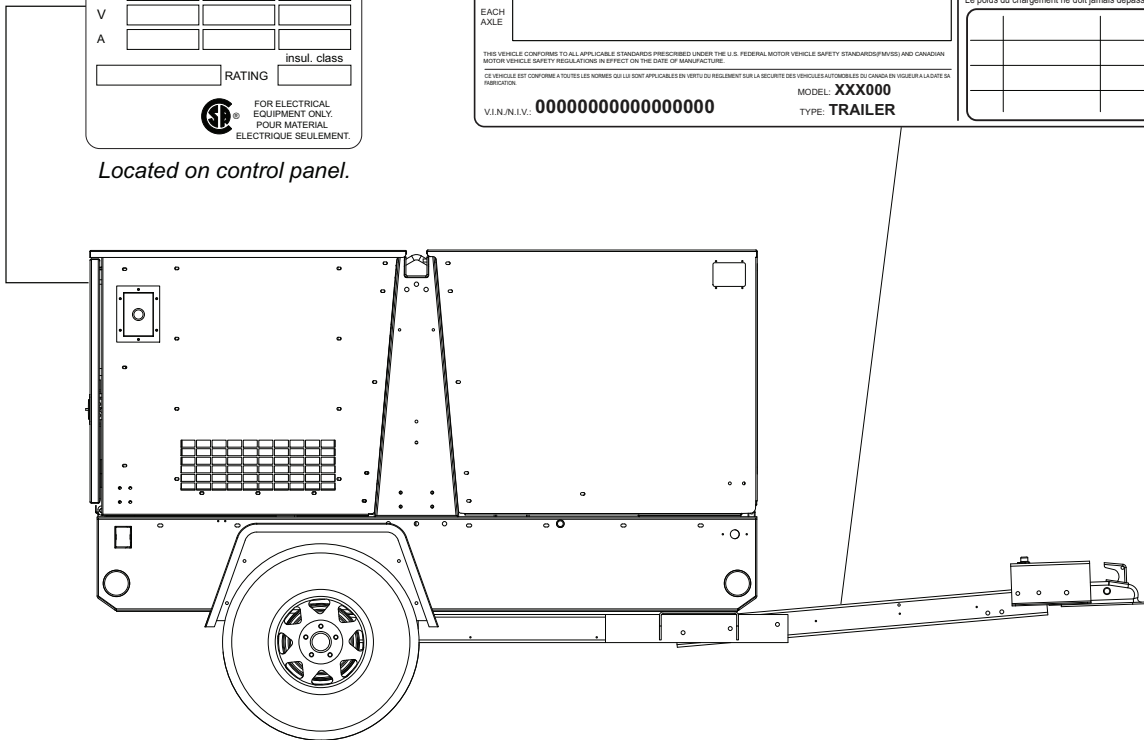
THIS VEHICLE CONFORMS TO ALL APPLICABLE STANDARDS PRESCRIBED UNDER THE U.S. FEDERAL MOTOR VEHICLE SAFETY STANDARDS (FMVSS) AND CANADIAN MOTOR VEHICLE SAFETY REGULATIONS IN EFFECT ON THE DATE OF MANUFACTURE.
 CE VEHICULE EST CONFORME A TOUTES LES NORMES QUI LI SONT APPLICABLES EN VERTU DU REGLEMENT SUR LA SECURITE DES VEHICULES AUTOMOBILES DU CANADA EN VIGUEUR A LA DATE SA FABRICATION.

V.I.N./I.L.V.: **0000000000000000** MODEL: **XXX000** TYPE: **TRAILER**

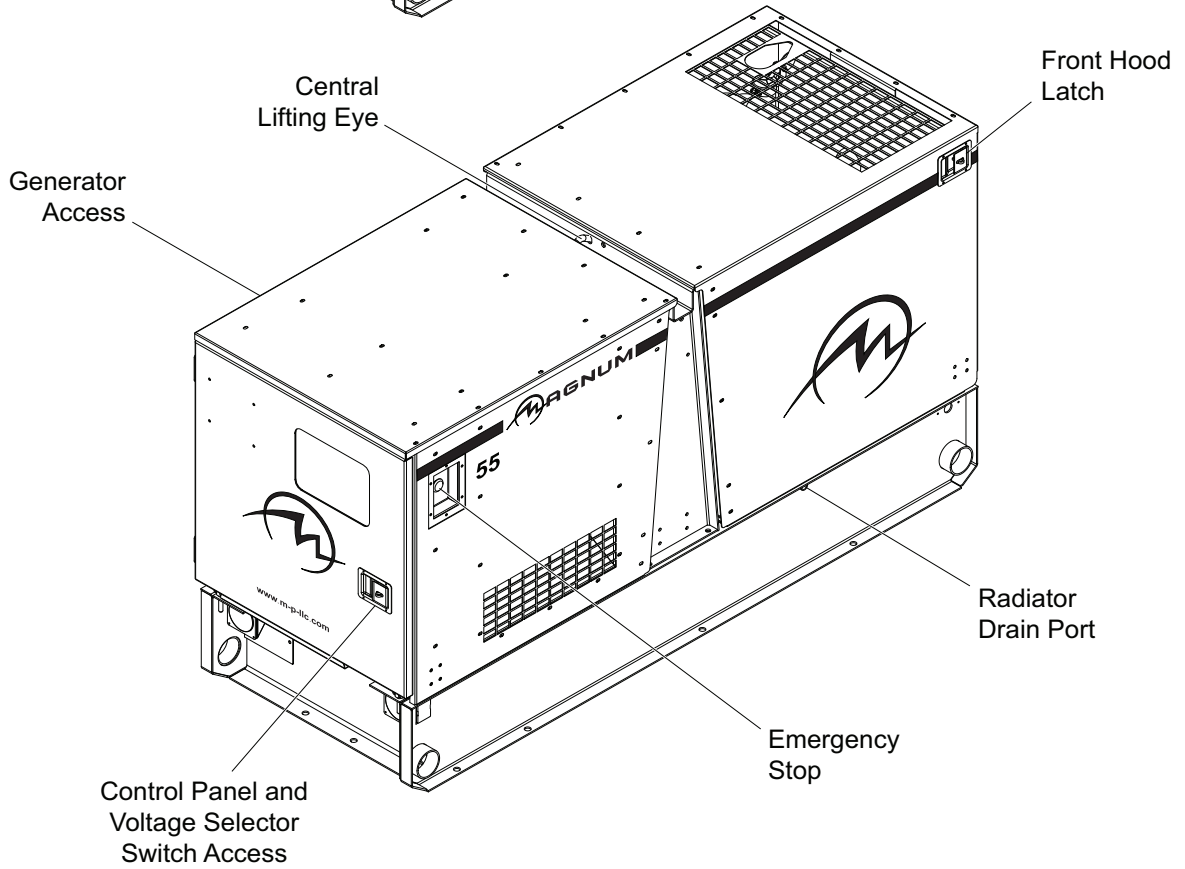
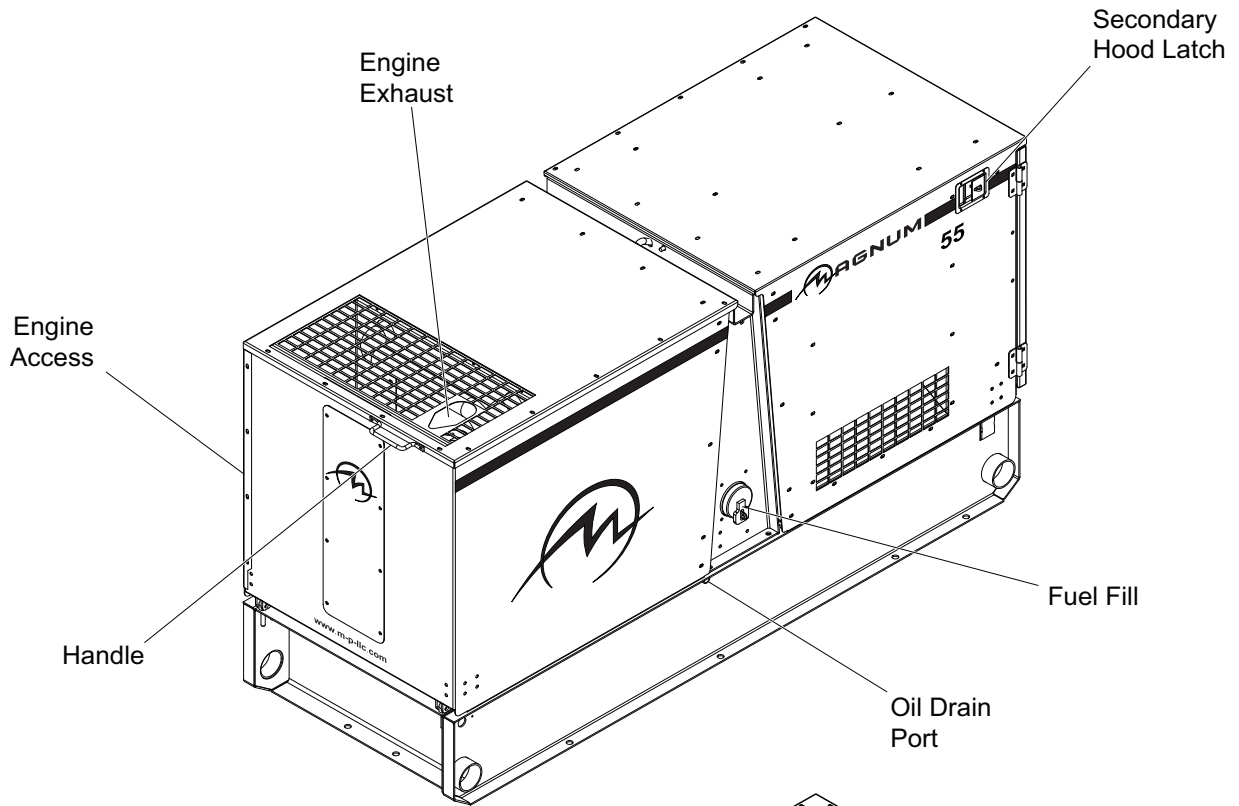
TIRE AND LOADING INFORMATION
RENSEIGNEMENTS SUR LES PNEUS ET LE CHARGEMENT

The weight of cargo should never exceed 0000KG (0000LBS)
 Le poids du chargement ne doit jamais dépasser 0000KG (0000LBS)

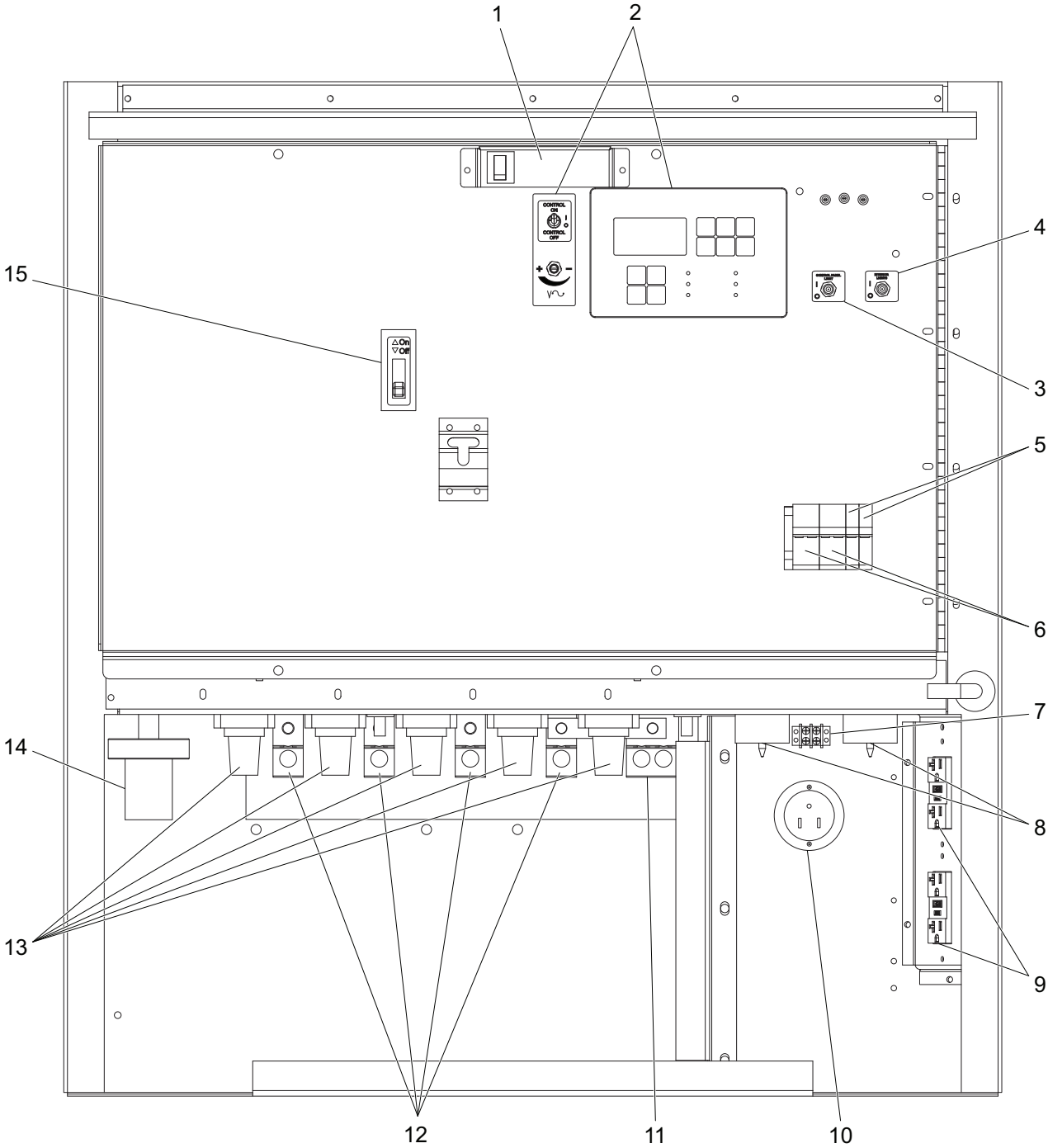
SEE OWNER'S MANUAL FOR ADDITIONAL INFORMATION
VOIR LE MANUEL DE L'USAGER POUR PLUS DE RENSEIGNEMENTS



COMPONENT LOCATIONS



MAIN CONTROL PANEL FEATURES

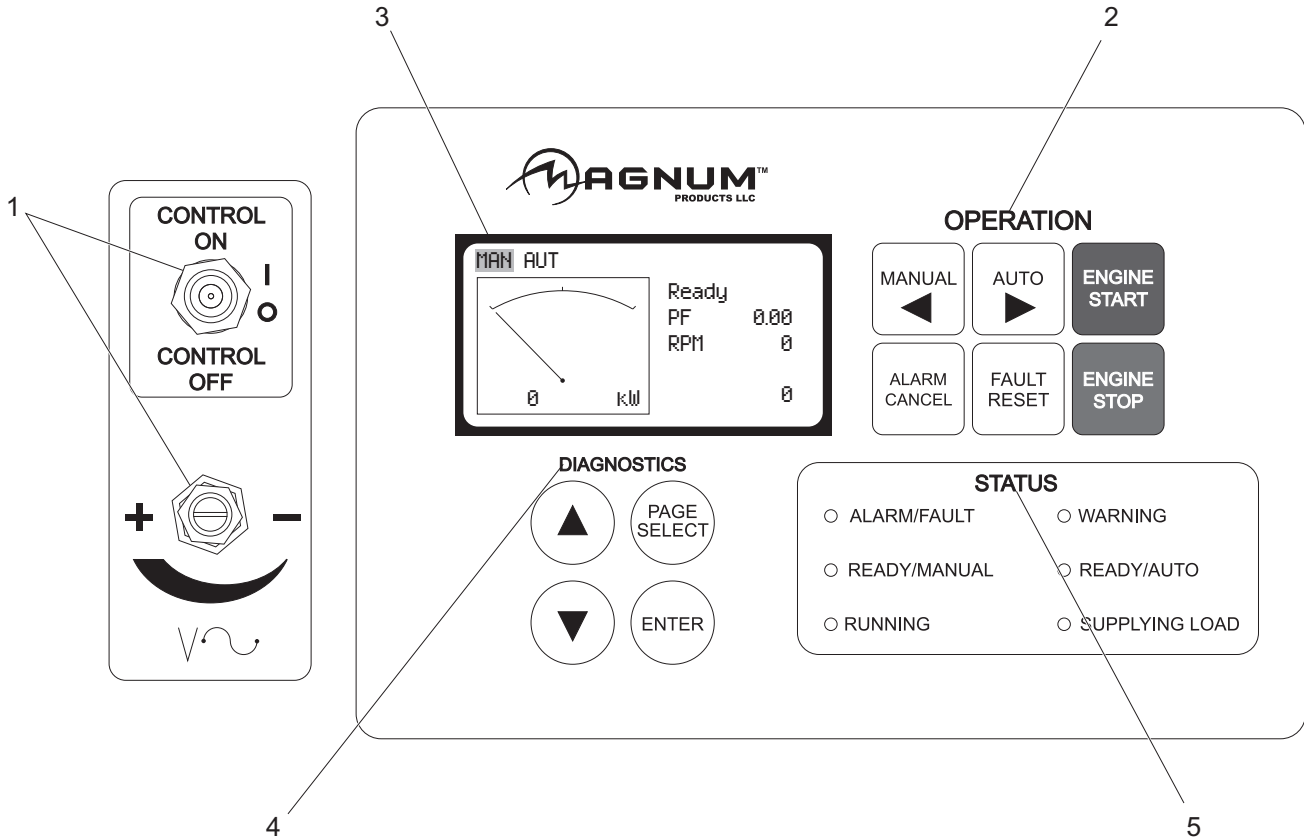


1. **CONTROL PANEL LIGHT (Optional)**
2. **MAGNUM DIGITAL CONTROLLER (MDC):** Refer to *"Magnum Digital Controller (MDC)" on page 18.*
3. **CONTROL PANEL LIGHT SWITCH (Optional):** Operates optional control panel light.
4. **INTERIOR LIGHT SWITCH (Optional):** Operates optional interior light.
5. **20A CIRCUIT BREAKERS:** Disconnects power to the 120V GFCI outlets.
6. **50A CIRCUIT BREAKERS:** Disconnects power to the 120/240V twist-lock outlets.
7. **REMOTE START TERMINAL BLOCK:** Allows the generator to be started from a remote location with a dry-contact closure switch when the generator is used for standby or remote power.
8. **120/240V TWIST-LOCK CONVENIENCE OUTLETS:** Allow for connecting additional loads or equipment to the generator.
9. **120V GFCI DUPLEX CONVENIENCE OUTLETS:** Allow for connecting additional loads or equipment to the generator.
10. **ENGINE ACCESSORY CONNECTION:** Powers the battery charger and other engine accessories.
11. **GENERATOR GROUND CONNECTION LUG:** Allows connection to a good earthen ground per any local, state or National Electric Code (NEC) guidelines before starting the generator.
12. **GENERATOR OUTPUT CONNECTION LUGS:** Allow appropriate loads to be wired directly to the generator.
13. **CAM LOCK CONNECTORS (Optional):** Series 16 taper nose 400A/600V cam locks are connected here. Refer to *"Generator Cam Lock Connections Option" on page 36.*
14. **VOLTAGE SELECTOR SWITCH:** Mechanically changes the connections between the generator output leads and the connection lugs and the optional cam lock connectors on the main control panel.
15. **MAIN CIRCUIT BREAKER:** Disconnects power to the connection lugs and the optional cam lock connectors (items 12-13). It **WILL NOT** disconnect power to the convenience outlets when the engine is running.

MAGNUM DIGITAL CONTROLLER (MDC)

The Magnum Digital Controller (MDC) is an enhanced digital generator controller used to start, stop and monitor the operation of the generator and the engine. The controller constantly monitors vital generator and engine functions for a number of pre-programmed alarm and fault conditions. When a fault condition occurs, the engine will shutdown automatically and the Liquid Crystal Display (LCD) window will display the fault that caused the shutdown; to resume operation the fault condition must be resolved. The controller has the ability to provide the display readout in English and Spanish; other languages are available. A screen print out of the display screen is also available. This controller also records a history of the units performance which may be viewed at any time and will not be lost when the controller is powered down.

The MDC panel consists of five sections, including: the “CONTROL ON/OFF” toggle switch and fine voltage adjustment screw; the “OPERATION” keypad; the LCD window; the “DIAGNOSTICS” keypad; and the “STATUS” Light Emitting Diodes (LED’s).



DIGITAL CONTROLLER FEATURES AND FUNCTIONS

1. **The “CONTROL ON/OFF” Toggle Switch and Fine Voltage Adjustment Screw**
 - **“CONTROL ON/OFF” Toggle Switch:** This toggle switch powers-up the control panel and the controller.
 - **Fine Voltage Adjustment Screw:** This screw may be adjusted to set the generator output voltage after the voltage selector switch has been changed from one phase to another. This adjustment **MUST** be accomplished within 45 seconds of startup, during the “V Detect,” so that the unit does not experience a shutdown alarm for “over and under voltage.” Refer to *“Fine Voltage Adjustment ” on page 21.*

2. **The “OPERATION” Keypad**
 - **“ENGINE START” Button:** The unit must be in the “MAN” mode in the upper left corner of the LCD window display and the “READY/MANUAL” LED lit in the “STATUS” portion of the controller. Press the green “ENGINE START” button to start the unit.
 - **“ENGINE STOP” Button:** Press the red “ENGINE STOP” button to shut down the unit and start the “Stop Value” timer.

- **“MANUAL ◀” Button:** Press this button to change from the Automatic (remote) starting mode to Manual starting mode.
- **“AUTO ▶” Button:** Press this button to change from Manual starting mode to Automatic (remote) starting mode.
- **“ALARM CANCEL” Button:** When an alarm is activated, press this button to silence and cancel the alarm.
- **“FAULT RESET” Button:** Press this button to clear the fault from the LCD window after the fault has been corrected. Press “FAULT RESET” and “ENTER” to clear the John Deere ECU Alarm List Codes.

3. The Liquid Crystal Display (LCD)

- This window will toggle between the generator display screen and the engine display screen upon startup of the unit. By viewing these screens, the operator will be able to monitor both the engine and generator status while the unit is running.

4. The “DIAGNOSTICS” Keypad

- **“▲” Scroll-Up Button:** Press this button to scroll-up within the LCD window.
- **“▼” Scroll-Down Button:** Press this button to scroll-down within the LCD window.
- **“PAGE SELECT” Button:** Pressing this button will select the next display screen.
- **“ENTER” Button:** Pressing this button will place you inside the particular display to review the generators pre-programmed setpoints or parameters.

5. The “STATUS” Light Emitting Diodes (LED’s)

- These six LED’s will illuminate to display the current operational status of the generator;
 - **“ALARM/FAULT”:** Indicates active or inactive alarms, but not reset shutdown alarms.
 - **“WARNING”:** Indicates an active or inactive alarm, or a warning alarm that has not been reset.
 - **“READY/MANUAL”:** Indicates the controller is ready to start and in the Manual mode.
 - **“READY/AUTO”:** Indicates the unit is in the Auto mode ready for the remote start signal.
 - **“RUNNING”:** Indicates the unit is running.
 - **“SUPPLYING LOAD”:** Indicates a load is being applied to the generator.

GENERATOR MONITORING

Generator information is shown on the Liquid Crystal Display (LCD) window in a toggling manner with the engine information after the first 60 seconds of operation, then every five seconds. The generator display screen will show frequency, line to neutral voltage, line to line voltage and amperage.

Note: When loading the generator, it is important to observe the amperage to determine the load balance on each line of the generator. Minor load unbalances, usually 10% or less, will not cause any particular problems. Every effort should be made to distribute the load equally between all lines.

- **Hertz:** Displays output frequency.
- **Generator Output Voltage:** Line to Neutral display, single phase (1Ø).
- **Generator Output Voltage:** Line to Line display, 3 phase (3Ø).
- **Amps:** Displays the AC output amperage produced by the generator.

GENERATOR DISPLAY SCREEN

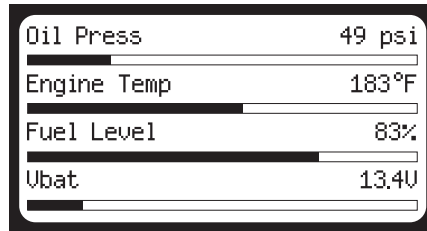
Gen freq			60.0Hz
L1N	120V	L12	208V
L2N	120V	L23	208V
L3N	120V	L31	208V
A	226	222	223

ENGINE MONITORING

Engine information is shown on the Liquid Crystal Display (LCD) window in a toggling manner with the generator information after the first 60 seconds of operation and then every five seconds. The engine display screen will show oil pressure, engine coolant temperature, fuel level and battery voltage.

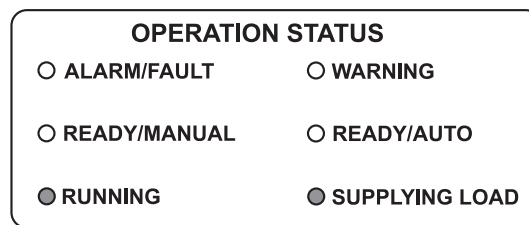
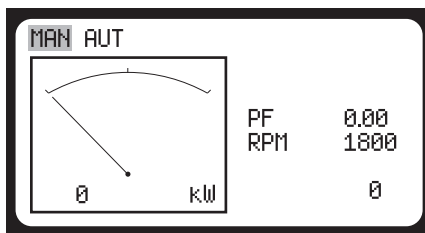
- **Oil Press:** Displays engine oil pressure. The display registers oil pressure between 0-100 psi (0-689 kPa). Normal operating pressure is between 35-80 psi (241-552 kPa). If the oil pressure falls below 25 psi (172 kPa), the engine will automatically shut down with low oil pressure.
- **Eng Temp:** Displays the temperature of the engine's coolant. If the coolant temperature exceeds the maximum water temperature of 230°F (100°C), the engine will automatically shut down. Zero "0" will be displayed until a minimum temperature of 100°F (38°C) is reached.
- **Fuel Level:** Displays the level of fuel in the tank by percentage (50% = 1/2 tank, 75% = 3/4 tank, etc.). If the fuel level drops below a programmed low fuel point of 15%, a low fuel warning and optional audio alarm will be activated. If the fuel level drops below the programmed low fuel limit of 5%, the engine will automatically shut down.
- **Vbat:** Displays the engine battery voltage. A normal reading is 13-14V on 12 volt systems and 24-26V on 24 volt systems (with the engine running).

ENGINE DISPLAY SCREEN

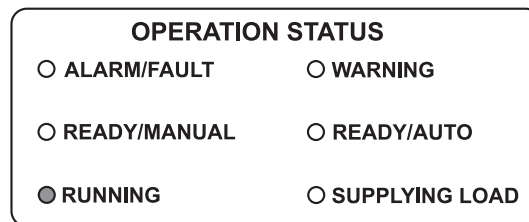
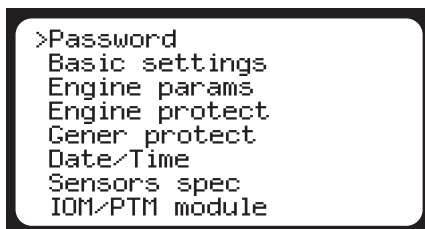


Additional information may be viewed while the unit is in "MANUAL" or "AUTO" mode. By pressing the "PAGE SELECT" button, the operator will select one of the following screens; "Running" screen, "Password" screen, or "History" screen. In each of these page selections the operator may press the "▲" or "▼" buttons on the "DIAGNOSTICS" keypad to display additional information as follows:

- **"Running" screen:** The operator may press the "▲" or "▼" buttons on the "DIAGNOSTICS" keypad to display the "Alarm List" screen, "ECU Alarm List" screen, "Run Hours" screen, "ECU Values" screen, engine display screen and generator display screen.

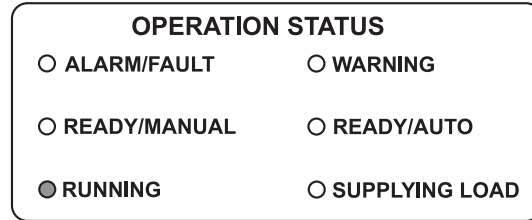
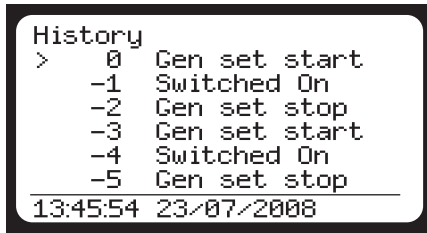


- **"Password" screen:** The operator may press the "▲" or "▼" buttons on the "DIAGNOSTICS" keypad to move the ">" cursor up or down a list of text.



- **"History" screen:** The operator may press the "▲" or "▼" buttons on the "DIAGNOSTICS" keypad to move the ">" cursor up or down a list of recent alarm or shutdown codes. Pressing the "ENTER" button at a particular selection will allow the operator to scroll to the right in the LCD window to view the generator operating parameters at the time of the alarm or shutdown. The history of alarms or codes is saved in the digital controller. The most recent alarm or code is the first to be listed, with the time/date of the alarm or code at

the bottom of the screen. The controller stores up to 117 codes. When full, the controller will automatically remove the oldest file. These codes will not be lost when the “CONTROL ON/OFF” toggle switch is powered off.



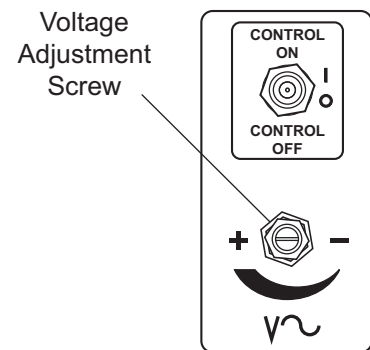
WET STACKING

The generator is powered by a diesel engine. Diesel engines are susceptible to wet stacking if lightly loaded. Wet stacking occurs when an engine is run at less than 30% of its full load capacity, causing unburned fuel to accumulate in the exhaust system. Wet stacking can be detected by continuous black exhaust when the unit is under a constant load. It can also cause fouling of injectors and buildup on engine valves. Diesel engines operate properly when applied loads are between 30% and 100% capacity. Appropriate generator sizing is determined by the anticipated load. If the unit is in a wet stack condition, load the unit heavily for five hours or until the exhaust is clear.

FINE VOLTAGE ADJUSTMENT

Upon startup of the generator, the “Running” screen of the Magnum Digital Controller (MDC) will display “V Detect” and will countdown from 45 seconds to zero. This is a safety feature of the controller to protect the generator from over or under voltage upon startup.

“V Detect” is a 45 second time delay and countdown process before the MDC records the generator nominal output voltage. This nominal generator voltage is then compared to the current set point voltage of the voltage selector switch. If the nominal voltage recorded by the controller is greater than or lower than the current set point voltage of the voltage selector switch setting by 10% or more, the controller will shut the generator down automatically. The display will read: “Wrn Gen L1 <V”, “Wrn Gen L2 <V”, “Wrn Gen L3 <V” or “Sd Gen L1 <V”, “Sd Gen L2 <V”, “Sd Gen L3 <V”. This means the controller warned (“Wrn”) or shutdown (“Sd”) the unit due to an output voltage irregularity.



The output voltage of the generator may be adjusted after the generator is running by using the fine voltage adjustment screw. The adjusting screw is located directly below the “CONTROL ON/OFF” toggle switch on the control panel. This screw turns a rheostat that will provide an increase (“+”) or a decrease (“-”) in the generator output voltage as displayed on the generator display screen on the MDC . If the voltage is increased or decreased too fast or too slow, the unit will automatically shut down. This adjustment needs to be made within the 45 second delay and countdown to zero period.

To adjust the output voltage, check the output voltage on the Liquid Crystal Display (LCD) window labeled Gen freq & Hz. Look at the “L1N” voltage or the “L12” voltage on the display. The generator nominal output voltage should be within 10% of the voltage rating on the voltage selector switch.

To adjust the output voltage, use a flat head screwdriver to turn the screw in the desired direction until the required voltage shown on the LCD window matches the stated voltage on the voltage selector switch.

For Example: With the voltage selector switch set to “208/120V” 3 phase position, the voltage displayed on the Gen freq & Hz screen must be within $\pm 10\%$ of the 208/120 position (188-228V Line to Line/108-132V Line to Neutral).

Note: Each time the voltage selector switch is changed from one setting to another, an adjustment will need to be made to the fine voltage using the fine voltage adjustment screw.

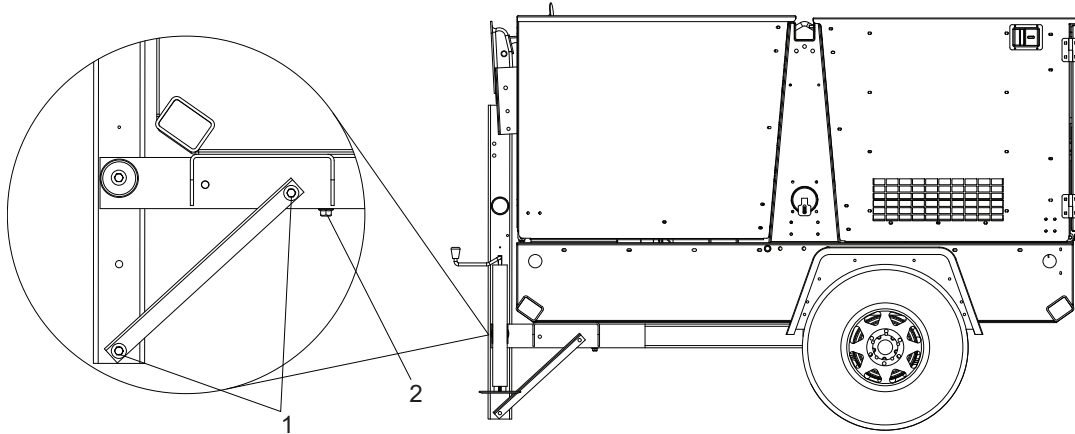
LOWERING THE TRAILER TONGUE

For units shipped with the trailer tongue in the upright position, follow the steps below to lower the tongue.

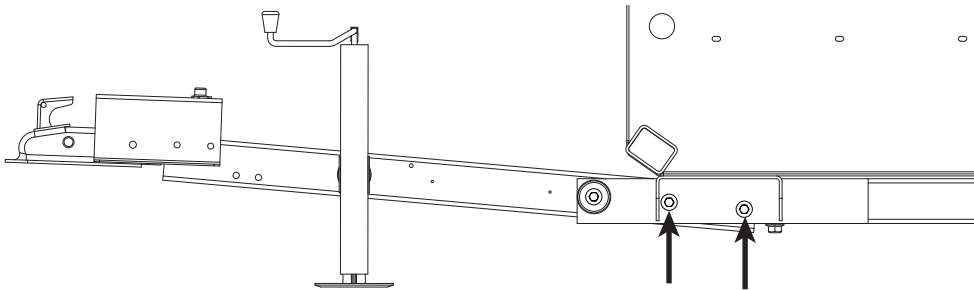
1. Elevate the unit using a hoist or forklift, or use the jack located on the trailer tongue.

Note: If using the front jack for support, it must first be moved to the jack mount location nearest the frame.

2. Remove the mounting hardware securing the tongue shipping brace to the trailer frame (1).

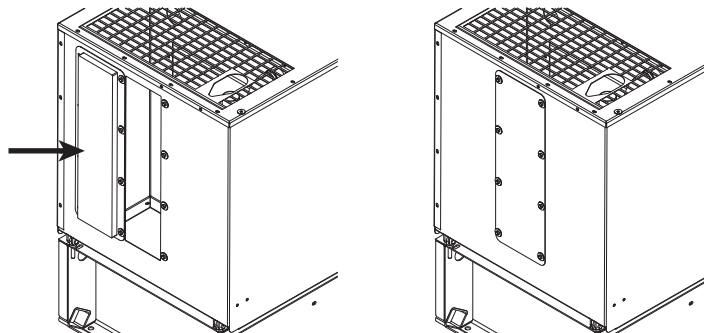


3. Remove the shipping brace and slide it into the trailer tube opening. Secure the brace to the trailer with the bolt located on the underside of the trailer (2) and a new nylon locking nut.
4. Flip the trailer tongue down and reinstall the bolts and washers removed in step 2 using two new nylon locking nuts. **DO NOT** reuse nylon locking nuts. Tighten the bolts to 80-109 ft-lbs (108-148 Nm).



Note: If the jack was used to support the unit while removing the shipping brace, the jack must be moved back to the tongue location before the unit can be towed. Connect the trailer tongue to a vehicle or other support and move the jack to the tongue location.

5. Tighten the bolt inside the jack mounting tube nearest the frame.
6. Remove the mounting hardware from the front hood actuator clearance hole panel and the side of the opening. Turn the panel around and position it over the opening. Reinstall the hardware to secure the panel.



FRONT HOOD OPERATION

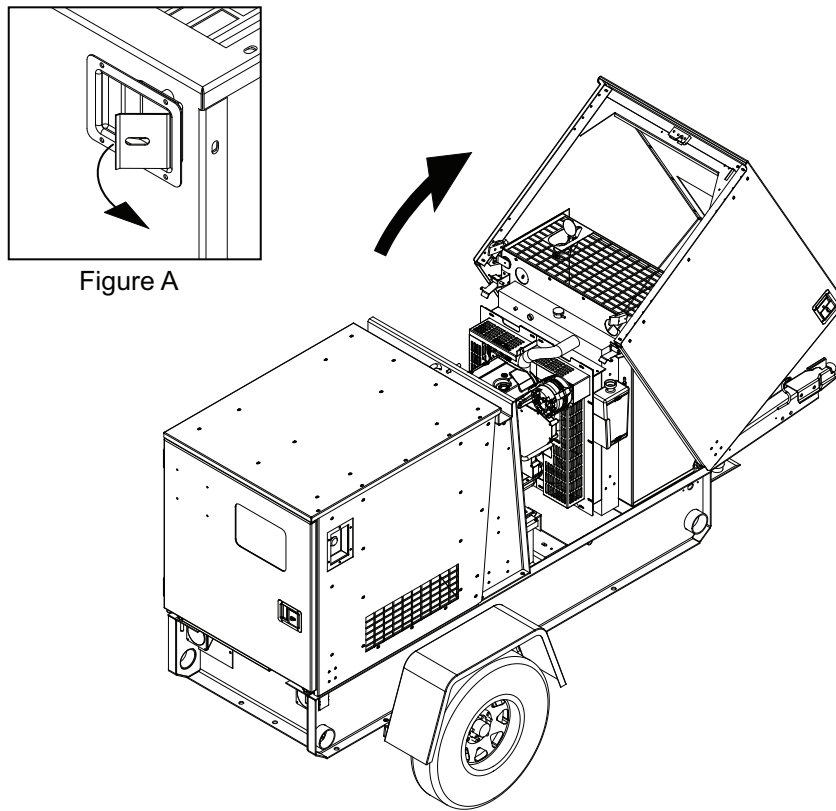


Figure A

▲ WARNING

Stay clear of hood and lift structure when opening and closing generator hoods. Personal injury may result.

TO OPEN THE FRONT HOOD:

1. With your right hand, grip the handle located on the upper right side of the front panel.
2. With your left hand, pull the hood latch located on the upper corner of the left hood side. Refer to Figure A. Tilt the hood open until it contacts the bulkhead panel.

▲ CAUTION

Generator hoods are heavy. Use caution when opening or closing.

TO CLOSE THE FRONT HOOD:

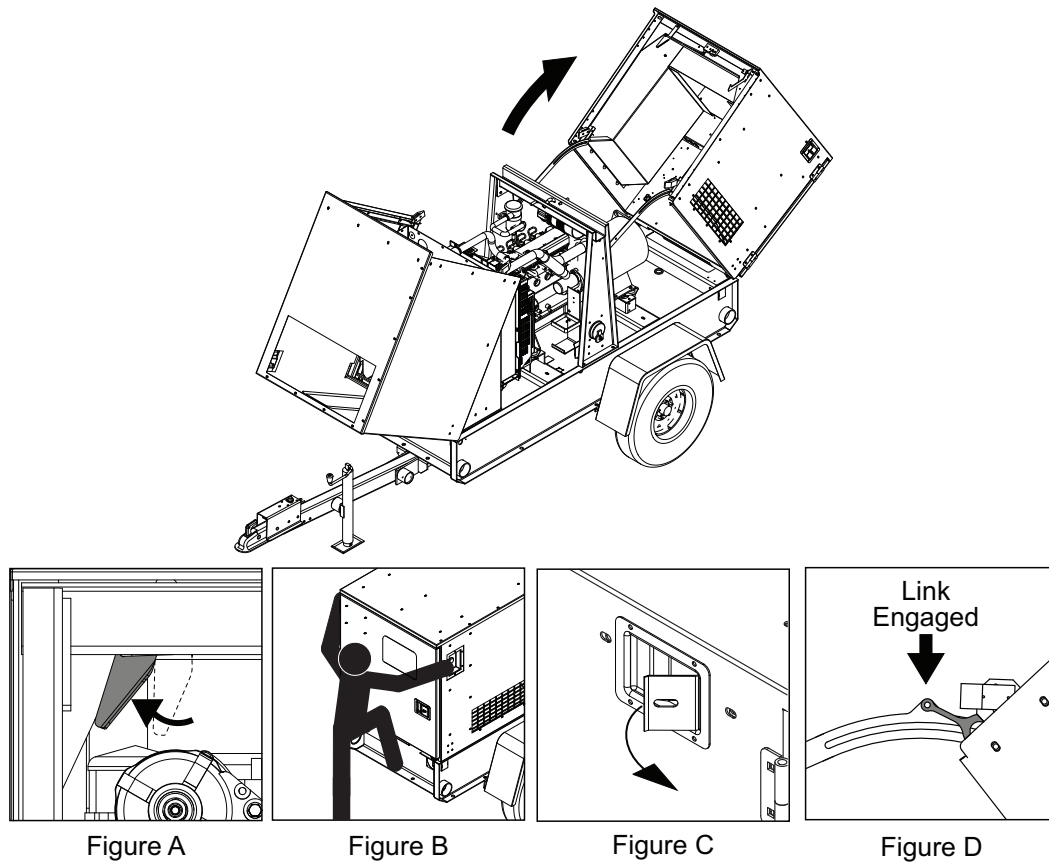
1. Make sure the skid is free of debris and all personnel are clear of unit.

▲ CAUTION

Do not attempt to close the hood from the sides of the unit. Proceed to the front of the unit and close the hood using the handle provided. Failure to close the hood correctly could result in personal injury and equipment damage.

2. While standing at the front of the unit, slowly push the hood forward and allow it to close firmly to ensure the hood latch is engaged.
3. Verify the hood is securely closed by attempting to open without pulling the hood latch.

REAR HOOD OPERATION



⚠ WARNING

Stay clear of hood and lift structure when opening and closing generator hoods. Personal injury may result.

TO OPEN THE REAR HOOD:

1. Open front hood.
2. Verify the control door is completely closed and secure.
3. Pull lever located under the lift structure to release the primary hood latch. Refer to Figure A.
4. Proceed to the rear of the unit to release the secondary hood latch and tilt the hood open. Refer to Figure B.
 - A. With your right hand, grip the lip of the emergency stop panel on the right side of the unit.
 - B. With your left hand, pull the hood latch located on the upper corner of the left hood side. Refer to Figure C. Tilt the hood completely open; movement of the hood is limited by two metal guide straps.

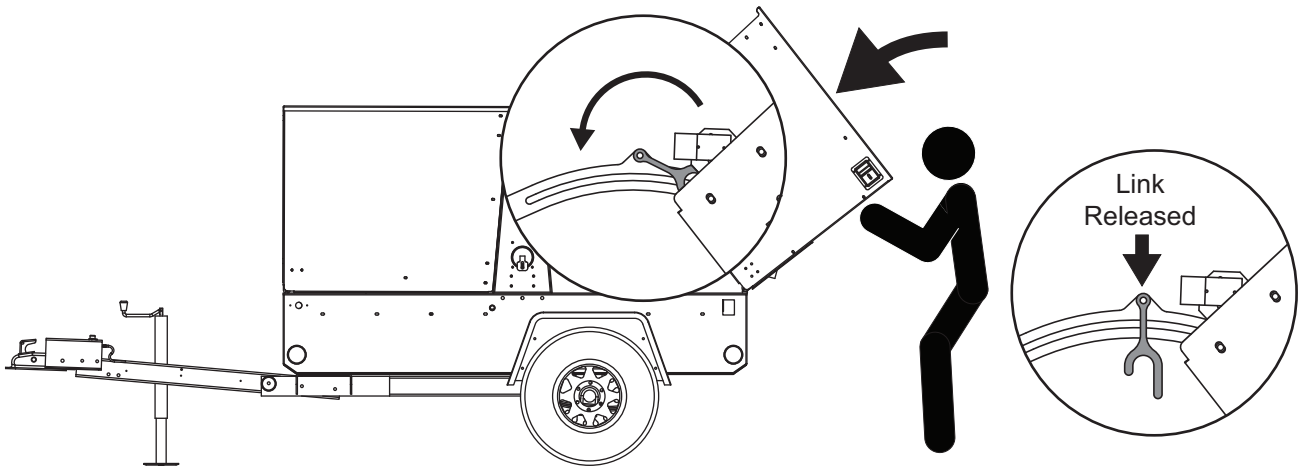
⚠ CAUTION

Generator hoods are heavy. Use caution when opening or closing.

5. Verify the red safety link is engaged and undamaged. This link is located on the left side metal guide strap. Refer to Figure D.

⚠ WARNING

If the red safety link is not properly engaged, unintentional closing of the hood could result, causing personal injury or equipment damage.



▲ WARNING

**Stay clear of hood and lift structure when opening and closing generator hoods.
Personal injury may result.**

TO CLOSE THE REAR HOOD:

1. Make sure the skid is free of debris and all personnel are clear of the unit.
2. Verify the control door is completely closed and secure.
3. Release the red safety link located on the left side of the metal guide strap by rotating the link counterclockwise.

NOTICE

Failure to release the safety link could result in damage to the link or other components.

▲ CAUTION

Do not attempt to close the hood from the sides of the unit. Proceed to the rear of the unit and close the hood using the handle provided. Failure to close the hood correctly could result in personal injury and equipment damage.

4. While standing at the rear of the unit, slowly push the hood forward and allow it to close firmly to ensure the hood latches have engaged.
5. Verify the hood is securely closed by attempting to open without releasing the hood latches.

PRE-START CHECKLIST

Before starting the generator, carefully read the pre-start checklist. Make sure all of the items are checked before trying to start the generator. This checklist applies to both manual and remote starting of the generator.

- Read and understand **ALL** safety sections at the beginning of this manual.
- Make sure the “CONTROL ON/OFF” toggle switch is in the “OFF/O” position.
- Make sure the circuit breakers (main and convenience) are switched “OFF/O”.
- Check that the generator is properly grounded to a good earthen ground per any local and National Electric Code (NEC) regulations.
- Verify all electrical connections at the connection lug and cam lock receptacles (if equipped) are wired correctly.
- Are the connection lugs tight?
- Check the voltage selector switch and make sure it is set to the desired voltage.
- Is the generator sitting level?
- Thoroughly check for any water inside the unit, on, or near the generator. Dry the unit before starting.
- Check oil, coolant, and fuel levels, and engine battery connections.
- Check the engine fan belt tension and condition.
- Check the engine fan belt guard.
- Check the engine exhaust system for loose or rusted components.
- Check the radiator and surrounding shroud for debris.
- Are any of the generator covers loose or missing?
- Are all preventive maintenance procedures up to date?
- Check that the battery disconnect switch is on, if equipped.

ENGINE BREAK-IN REQUIREMENTS

Note: During the first 20 hours of operation, avoid long periods of no load or sustained maximum load operation. If the generator is to run for longer than five minutes without a load, shut the generator down.

John Deere engines are supplied with engine break-in oil from the factory. Extra care during the first 100 hours of engine operation will result in better performance and longer engine life. **DO NOT** exceed 100 hours of operation with the break-in oil. Operate the engine at heavy loads (60-90% of maximum) as much as possible. If the engine has spent significant time at idle, constant speed(s), and/or light load, or if makeup oil is required, a longer break in period may be needed. Consult the engine operator’s manual for a full description of necessary procedures on the addition of oil and extension of the break-in period. For more information on regular maintenance intervals, refer to the Basic Maintenance Schedules, [pages 43 - 45](#).

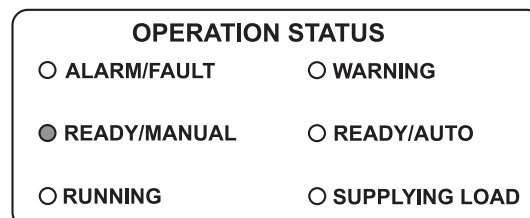
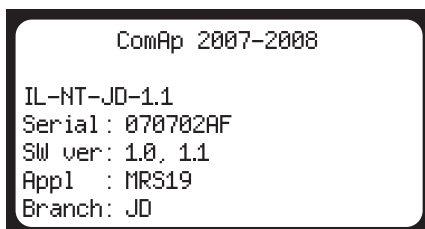
MANUAL STARTING OF THE GENERATOR

1. Move the “CONTROL ON/OFF” toggle switch to the “CONTROL ON/I” position.

▲ DANGER

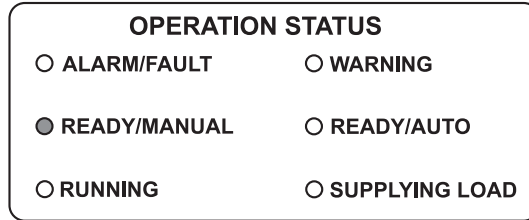
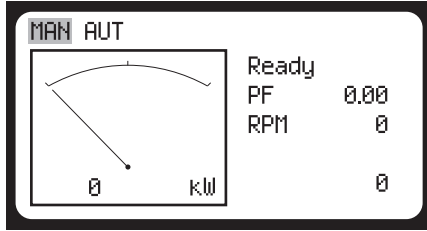
CARBON MONOXIDE: USING A GENERATOR INDOORS CAN KILL YOU IN MINUTES!

2. The Liquid Crystal Display (LCD) window will quickly display system information, all Light Emitting Diodes (LED’s) will flash.

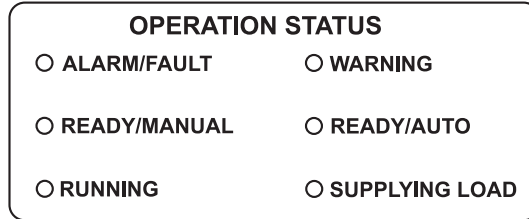
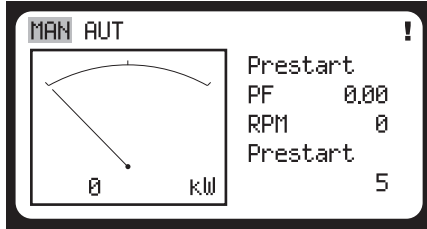


3. The LCD window will indicate “MAN” (Manual) mode and “Ready”. The “READY/MANUAL” LED will be lit.

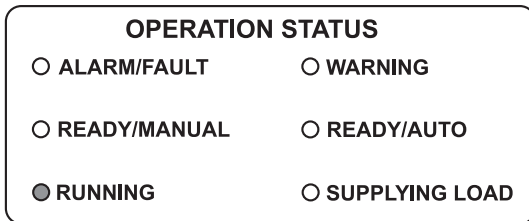
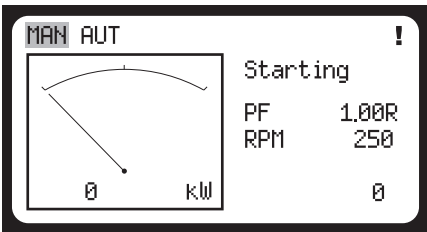
Note: The unit must be in the “MAN” mode with the “READY/MANUAL” LED lit to start the unit.



4. Press the green “ENGINE START” button. The “Prestart” screen will be displayed (if equipped) and a countdown will begin from 20 seconds to 0.

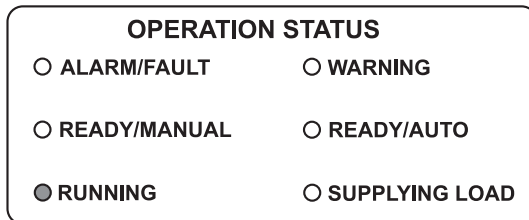
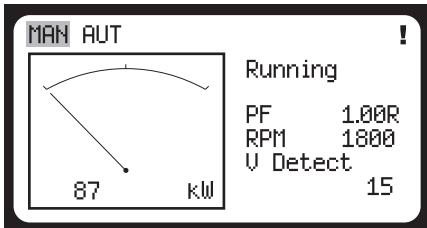


5. The “Starting” screen will be displayed. The engine will crank and start running.

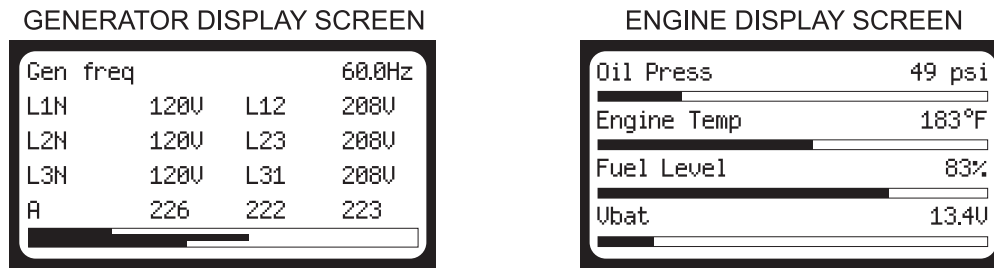


6. The “Running” screen will display.

Note: It may take a few seconds for the engine to run smoothly and reach its governed operating speed. The 45 second “V Detect” time delay will start to countdown.



- The LCD window will then toggle from the “Running” screen to the generator display screen and then to the engine display screen.



- If the engine does not start after the first cranking attempt, the engine will pause for 15 seconds to allow the starter to cool. The LCD window will show “PAUSE”. The engine will make two more attempts to start for a total of three crank cycles.
- Should the engine not start and run within three starting cycles, the LCD window will show “SD Start fail”. The starting sequence may be repeated after the starter has had a minimum of two minutes to cool. Press the “FAULT RESET” button to clear the controller. To start the unit, press the green “ENGINE START” button.

Note: The engine controller may skip the preheat engine steps on some of the larger models.

- Once the engine starts it will immediately begin speeding up to a constant 1800 rpm. The engine may hunt or change speeds until operating speed is reached. After a few minutes of operation, the engine will be warmed up and the LCD window will show engine and generator operating parameters. Temperature will be shown as “0” until the engine temperature is approximately 100°F (38°C).
- Check the generator for excessive noise or vibration and any coolant, oil or fuel leaks before applying any loads.
- Check that the AC output voltage is correct. The output voltage can be fine adjusted by using the fine voltage adjustment screw (rheostat). Refer to [“Fine Voltage Adjustment” on page 21](#).
- Check that the frequency (Hz) is correct. With no loads connected to the generator, the frequency should read approximately 60 Hz, depending on the type of engine governing used.
- If all wiring connections have been attached and secured correctly, switch the main circuit breaker to the “ON/I” position and then add any loads attached to the convenience outlets by switching the respective circuit breaker to the “ON/I” position. You will notice a slight change in engine sound when a load is applied to the unit.

“AUTO” (REMOTE) STARTING OF THE GENERATOR

The “AUTO” button is used when the generator is started from a location other than the control panel and by using a transfer switch. “AUTO” (remote start) is the normal setting when the generator is being used as a standby power supply. Before putting the generator in the “AUTO” mode, review [“Pre-Start Checklist” on page 26](#) and [“Manual Starting Of The Generator” on page 26](#). Follow all safety warnings and information on isolating the generator with a transfer switch if the unit is to be used as a standby power supply. Refer to [“Transfer Switch” on page 41](#). Then continue with the steps described below:

- Perform a manual start of the generator at least once to verify the engine is operating correctly.
- If a check of the remote start circuit is desired, remove the wires from the remote start terminal block. Press the “AUTO” button, the Liquid Crystal Display (LCD) window should highlight “AUTO” in the upper left corner. Attach a jumper wire (minimum 16 gauge) across the two terminals on the remote start terminal block. This applies a ground to the Magnum Digital Controller (MDC) to close the starting circuit contacts. The engine should crank, start and run.
- Remove the jumper wire from the remote start terminal block and the engine will stop. Reconnect any necessary wires from the remote start switch (transfer switch) to the remote start terminal block.
- Confirm unit is in “AUTO” mode. The LCD window should have “AUT” highlighted in the upper left corner.
- Close the main circuit breaker (set to “ON/I”).
- Secure the generator by closing and locking all access doors.
- The generator is now ready for remote starting.

SHUTTING DOWN THE GENERATOR

Check with personnel using power supplied by the generator and let them know the power is going to be turned off. Make sure the power shutdown will not create any hazards by accidentally turning off equipment that needs to be kept on (pumps, compressors, lights, etc.).

1. Remove all loads from the generator by opening all circuit breakers (turn to "OFF/O").
2. Let the engine run for approximately five minutes to allow it to cool down.
3. Push the red "ENGINE STOP" button. Pressing "ENGINE STOP" will result in the generator going into the shutdown cycle and starting a 15 second shutdown timer called "Stop Value." If the unit does not shut down within 15 seconds, a "Stop Fail" alarm will be displayed on the Liquid Crystal Display (LCD) window.
4. Move the "CONTROL ON/OFF" toggle switch to the "CONTROL OFF/O" position.

Note: For extended storage time, disconnect the battery. Refer to the engine operator's manual for extended storage requirements.

MDC CONTROLLER INFORMATION DISPLAYS, FUNCTIONS AND RESET

The Magnum Digital Controller (MDC) constantly monitors vital generator and engine functions for a number of operation, alarm and fault conditions. When a fault condition occurs, the engine will shut down automatically and the Liquid Crystal Display (LCD) window will show the fault that has caused the shutdown. To resume operation, the fault condition must be resolved. To reset the controller and resume operation, press the "FAULT RESET" button.

The operation of the Magnum Digital Controller (MDC) is divided into the following sections:

MAGNUM DIGITAL CONTROLLER (MDC) – GENERATOR OPERATIONAL STATUS

The Magnum Digital Controller (MDC) displays the operational status of the generator using the following codes:

No.	Engine State	Description
1	AfterCool	Engine aftercooling, cooling pump output is closed.
2	Cooling	The unit is cooling before stop.
3	Cranking	Engine is cranking.
4	EmergMan	Emergency Manual gen-set operation.
5	Init	Autotest during controller power on.
6	Loaded	The unit is running at nominal speed and GCB OPEN/CLOSE is closed.
7	Not Ready	The unit is not ready to start.
8	Pause	Pause between start attempts.
9	Prestart	Prestart sequence in process, prestart output is closed.
10	Ready	The unit is ready to run.
11	Running	The unit is running at nominal speed.
12	Shutdown	Shutdown alarm is activated.
13	Starting	Starting speed is reached and the <i>idle timer</i> is running.
14	Stop	Stop.

No.	Electrical State	Description
1	StabilTO	Stabilization Timeout

MAGNUM DIGITAL CONTROLLER (MDC) - ALARM MANAGEMENT

The Magnum Digital Controller (MDC) is capable of displaying the following alarms:

No.	Type	Description
1	Sensor fail (FLS)	Sensor fail is detected when measured value is 6% out of the selected characteristic. Sensor fail is indicated by ##### symbol instead of measured value. <i>Note: Oil Temp for John Deere engines will always display as #####.</i>
2	Warning (WRN)	When warning comes up, refer to list of possible alarms.
3	Shutdown (SD)	When the shutdown alarm comes up, the digital controller opens outputs GCB CLOSE/OPEN, FUEL, SOLENOID, STARTER and PRESTART to stop the engine immediately.

MAGNUM DIGITAL CONTROLLER (MDC) - LIST OF ALARMS

Shutdown and warning fault conditions and the displayed message are described in the following table:

No.	Events Specification	Protection Type	Information on Binary Output Available	Description
1	AnInIOM Sd	SD	YES	Shutdown alarm configurable on the input of IG-IOM/IGS-PTM.
2	AnInIOM Wrn	WRN	YES	Warning alarm configurable on the input of IG-IOM/IGS-PTM.
3	Battery Flat (low battery)	SD	YES	If the controller switches off during starting sequence due to bad battery condition, it doesn't try to start again and activates this protection.
4	Binary Input	CONFIG.	YES	Configurable Warning/Shutdown alarms on the inputs of IL-NT.
5	ChrgAlternFail	WRN	YES	Failure of the alternator to charge the battery.
6	EmergencyStop	SD	NO	If the red <i>Emergency Stop</i> switch is pushed or opened, shutdown is immediately activated.
7	Engine Temp Sd	SD	NO	Water temperature is greater than <i>Sd Water Temp</i> setpoint.
8	Engine Temp Wrn	WRN	YES	Water temperature is greater than <i>Wrn Water Temp</i> setpoint.
9	Fgen<, >	SD	YES	The generator frequency is out of limits given by <i>Gen >f</i> and <i>Gen <f</i> setpoints.
10	Fuel Level Sd	SD	YES	Fuel level is smaller than <i>Sd Fuel Level</i> setpoint (5%).
11	Fuel Level Wrn	WRN	YES	Fuel level is smaller than <i>Wrn Fuel Level</i> setpoint (15%).
12	GCB fail	SD	NO	Failure of the generator circuit breaker.
13	Igen unbl	SD	NO	The generator current is unbalanced.
14	Low BackupBatt	WRN	NO	RTC backup battery is flat (low).
15	Oil Press Sd	SD	NO	Oil pressure is smaller than <i>Oil Press Sd</i> setpoint.
16	Oil Press Wrn	WRN	YES	Oil pressure is smaller than <i>Oil Press Wrn</i> setpoint.
17	Overload	SD	YES	The load is greater than the value given by <i>Overload</i> setpoint.
18	Overspeed	SD	YES	The protection comes active if the speed is greater than <i>Overspeed</i> setpoint.

No.	Events Specification	Protection Type	Information on Binary Output Available	Description
19	ParamFail	NONE	NO	Wrong checksum of parameters. Happens typically after downloading new firmware or changing of the parameter. The controller stays in INIT mode. Check all parameters, write at least one new parameter.
20	PickupFault	SD	NO	Failure of the magnetic pick up sensor for speed measurement.
21	Sd IOM fail	SD	NO	IOM/IGS-PTM module.
22	SprinklActive	WRN	NO	The protection is active if the output <i>Sprinkler</i> is closed.
23	Start failed	SD	YES	Unit did not start.
24	Stop fail	SD	YES	Unit did not stop.
25	Ubat	WRN	YES	Battery voltage is out of limits given by <i>Batt Undervolt</i> setpoints.
26	Underspeed	SD	YES	During starting of the engine, when the RPM reaches the value of <i>Starting RPM</i> setpoint, the starter is switched off and the speed of the engine can drop under <i>Start RPM</i> again. Then the <i>Underspeed</i> protection becomes active. Protection evaluation starts 5 seconds after startup.
27	Vgen<, >	SD	YES	The generator voltage is out of limits given by <i>Gen <V</i> and <i>Gen >V</i> setpoints.
28	Vgen unbal	SD	NO	The generator voltage is unbalanced more than the value of <i>Volt unbal</i> setpoint.
29	Wrn ECU Alarm	WRN	NO	ECU alarm list is not empty.
30	Wrn RA15 fail	WRN	NO	Warning alarm in case of lost connection to IGL=RA15 module.
31	WrnMaintenance	WRN	NO	The period for servicing is set by the <i>WrnMaintenance</i> setpoint. The protection comes active if the running hours of the engine reach this value.

MAGNUM DIGITAL CONTROLLER (MDC) – HISTORY

The Magnum Digital Controller (MDC) stores a record of each important event in the history file of the controller. The history file seats 117 records. When the history file is full, the oldest records are removed.

No.	Record Structure Abbreviation	Historical Value
1	AIM1	IG-IOM, IGS-PTM analog input 1 value (when configured IG-IOM, IGS-PTM)
2	Date	Date of historical event in format DD/MM/YY
3	OilP	IL-NT analog input 1 value (default: oil pressure)
4	FC	ECU alarm FailureCode
5	Vg2	Generator voltage L2
6	RPM	Engine speed
7	Ig2	Generator current L2
8	Ubat	Battery voltage
9	FMI	ECU alarm failure mode identifier
10	EngT	IL-NT analog input 2 value (default: water temperature)

MMG ENGINE CONTROLLER

The engine speed (rpm) of the MMG35FHD is regulated with a Woodward Controller. The engine speed (rpm) of the MMG25FHI and MMG45FHK units is regulated with a Governors America Corps. (GAC) controller. Refer to the following section for information on the MMG55FHD.

JOHN DEERE ECU INFORMATION DISPLAYS AND FUNCTIONS (MMG55FHD ONLY)

The MMG55FHD has a John Deere Electronic Engine Control Unit (ECU) which regulates the engine speed (RPM) and constantly monitors vital engine functions for a number of operation, alarm and fault conditions. When an operation, alarm or fault condition occurs, the Liquid Crystal Display (LCD) window will alert the operator either visually or audibly. In addition to the "Alarm List," there is an "ECU Alarm List" which will list any faults specified by the John Deere ECU.

Press the "▲" Scroll-Up button (on the diagnostic keypad) to view the "ECU Alarm List." This will allow the operator to view a description of the fault, along with the diagnostic trouble codes located at the bottom of the display. Refer to Figure 1. To further identify a fault by using these codes, refer to the John Deere Operator's Manual supplied with the unit. To resume operation, the fault condition must be resolved and the code cleared from the display.

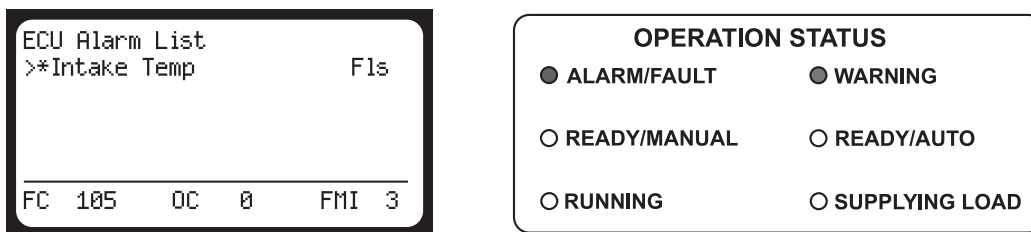


Figure 1

Diagnostic messages are read and displayed in the ECU Alarm List. The Suspect Parameter Number (SPN)*, Failure Mode Identifier (FMI) and Occurrence Counter (OC) are shown together with a description (if possible). One SPN*/FMI describes one failure. If FMI is equal to zero or one, "WRN" is displayed in the ECU Alarm list. For any other FMI value, "Fls" is displayed. Detailed SPN*/FMI information may be found in the SAE HS-1939 Publication, or refer to the engine manufacturer's ECU error codes list. The following table displays the ECU messages and their descriptions.

No.	SPN	Description
1	SPN:100	EngOil Press
2	SPN:102	Boost Press
3	SPN:105	Intake Temp
4	SPN:110	EngCool Temp
5	SPN:175	EngOil Temp
6	SPN:629	Controller #1
7	SPN:636	PositionSensor
8	SPN:637	TimingSensor
9	SPN:651	InjectorCyl#1
10	SPN:652	InjectorCyl#2
11	SPN:653	InjectorCyl#3
12	SPN:654	InjectorCyl#4
13	SPN:655	InjectorCyl#5
14	SPN:656	InjectorCyl#6
15	SPN:677	EngStartRelay
16	SPN:1485	ECU MainRelay

***Note:** The Suspect Parameter Number (SPN) is displayed as "FC" on the bottom left of the LCD window. Refer to Figure 1.

ADJUSTING THE DISPLAY BACKLIGHTING

The brightness on the Liquid Crystal Display (LCD) window may be adjusted by the operator whenever the Magnum Digital Controller (MDC) is powered up.

Note: Anytime an “*” is displayed on the LCD window, the text or set point cannot be changed without the use of a password. Contact Magnum Power Products LLC Technical Support for assistance.

1. Press and hold “ENTER,” then press the “▲” or “▼” button on the diagnostics keypad to increase or decrease the brightness as needed.
2. Release the “ENTER” button when the desired brightness is attained.

RESETTING THE “TIME TO SERVICE” REMINDER

The Magnum Digital Controller (MDC) will display the message “WrnMaintenance” when the unit is due for maintenance or service. The maintenance or service interval is set at 250 hours of engine running time. Once the unit has been serviced, the “Time to Service” reminder needs to be reset to the 250 hour interval. The following procedure demonstrates how to reset the running hours to 250:

1. With the unit shut down, power up the controller with the “CONTROL ON/OFF” toggle switch. The initialization screen will be displayed. The controller will toggle automatically to the “Ready” display screen.
2. Press the “PAGE SELECT” button. The next screen will display lines of text; starting with the word “Password”, then “Basic Settings”, “Engine Params”, “Engine Protect” etc. The top line has a cursor (>) before the word “Password”.
3. Press the “▼” button to move the “>” cursor down to the “Engine Protect” line of text.
4. Press “ENTER”. “WrnMaintenance” will appear at the top left of the display screen. The current service time hour setting (0) will be one line below it on the right side.
5. Press “ENTER”. The current run time in hours will now appear on the left side of the display screen, directly under “WrnMaintenance.”
6. Press the “▲” button and reset the current run time hour setting to 250. If you pass the 250 time interval use the “▼” button to get back to the 250 time interval.
7. Press “ENTER” to save the current run time hour setting.
8. Move the “CONTROL ON/I” toggle switch to the “CONTROL OFF/O” position.

TROUBLESHOOTING AUTOMATIC SHUTDOWN CONDITIONS

▲ WARNING

Allow engine to cool before performing any troubleshooting procedures. Contacting the engine when it is hot will cause severe personal injury.

LOW FUEL LEVEL SHUTDOWN

1. Check the fuel level on the Liquid Crystal Display (LCD) window. Confirm the generator is sitting level to ensure an accurate reading.
2. Check for leaks in the fuel tank. The fuel tank will not run dry under normal circumstances. The engine controller will shut the engine down when there is 5% of fuel remaining in the tank. This is done to keep the fuel lines from running dry.
3. If the fuel level is good and no leaks are found, check the fuel level sender and the connecting wiring for damage. To check for continuity between the sender and the engine controller, remove the appropriate bolts from the control panel to access the inside of the control box. Consult the appropriate DC wiring diagram for the proper path between the engine controller and the fuel level sender.

LOW OIL PRESSURE SHUTDOWN

1. Check the level of the engine oil with the dipstick. The engine controller (for MMG55FHD only) or the MDC (for MMG25FHI, MMG35FHD, and MMG45FHK) will shut the engine down when the oil pressure is less than 20 psi (138 kPa). Add oil if required.

2. Visually inspect the engine for oil leaks.
3. If the oil level is good, restart the unit and verify the loss of oil pressure. Shut the engine down immediately if the oil pressure value does not read 5 psi (34 kPa) within five seconds.
4. Check the oil pressure sender. To identify corrective action, refer to the troubleshooting section of the engine operator's manual provided with the unit.

LOW COOLANT LEVEL SHUTDOWN

1. Allow the engine to cool! Confirm the unit is sitting level to ensure an accurate reading.
2. Check the coolant level in the radiator. To access the radiator cap, you must open the front hood. Add coolant until it is 3/4 in. (1.9 cm) below the filler neck. Secure the radiator cap back into its original position.
3. Inspect coolant hoses, engine block and water pump for visible leaks.
4. Check the engine oil to verify no coolant has mixed with it (oil will appear milky if coolant is present). Consult the engine operator's manual for additional information.

HIGH COOLANT TEMPERATURE SHUTDOWN

1. Check the coolant level in the overflow jug.
2. Restart the engine and read the coolant temperature to verify High Coolant Temperature Shutdown. Stop the engine immediately if the coolant temperature is 230°F (110°C) or more.
3. Allow the engine to cool. Add coolant to the overflow jug if it is low and then check the level of coolant in the radiator. To access the radiator cap, you must open the front hood. Add coolant until it is 3/4 in. (1.9 cm) below the filler neck. Secure the radiator cap back into its original position.
4. Check the radiator shroud and ducting for blockage and remove any foreign matter.
5. Inspect coolant hoses, engine block and water pump for visible leaks.
6. Check the tension of the serpentine drive belt for the water pump.
7. If no other problems are found, remove the load on the generator and restart the engine. Check the coolant temperature and shut the engine down immediately if it starts to overheat. Consult the engine operator's manual for additional information on engine overheating.

OVERCRANK SHUTDOWN

1. Check the fuel level in the tank.
2. Check for proper operation of the fuel pump.
3. Check the air filter for blockage.
4. If the engine will not start, consult the engine operator's manual for additional information on troubleshooting starting problems.

OVERSPEED OR UNDERSPEED SHUTDOWN

1. Disconnect all loads and restart the generator. Read the frequency (Hz) on the LCD display. With no loads on the generator, the frequency should read 60.0 Hz.
2. If the frequency is above or below 60.0 Hz, the engine speed will have to be adjusted. Refer to the engine operator's manual for throttle adjustments on mechanical governed units and refer to the electronic governor manual for electronically controlled units. MMG55FHD units will need to contact John Deere with speed related issues since the engine is governed by the John Deere Electronic Engine Control Unit (ECU).

GENERATOR OUTPUT CONNECTION LUGS

The generator is equipped with connection lugs, located behind the lug box door next to the customer convenience outlets. The lugs provide connection points for attachment of external loads to the generator. A large decal on the inside of the connection lug door details the proper connections for selected voltages.

⚠ WARNING

It is **RECOMMENDED** that only a trained and licensed electrician perform any wiring and related connections to the generator. Installation should be in compliance with the **NATIONAL ELECTRIC CODE (NEC)** as well as any local or state guidelines as required by law. Failure to follow proper installation requirements may result in equipment or property damage, personal injury or death.

⚠ WARNING

Before any connections are made to the generator, make sure that the main circuit breaker and the engine start switch are in the “OFF/O” position and that the negative (-) battery cable is disconnected. Potentially lethal voltages may be present at the generator connection lugs.

⚠ DANGER

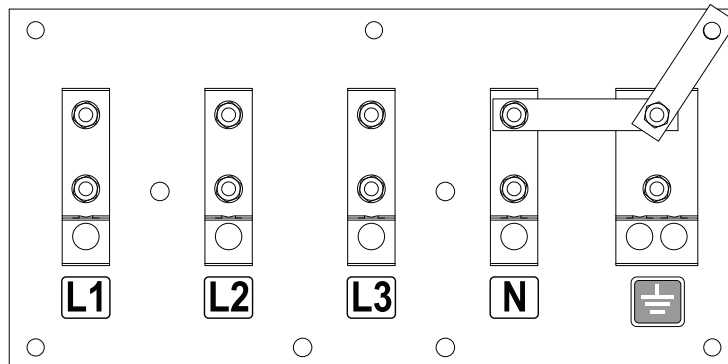
IMPROPER OR INCORRECT CONNECTIONS TO A BUILDING'S ELECTRICAL SYSTEM CAN CAUSE POTENTIALLY LETHAL VOLTAGE TO BACKFEED INTO UTILITY LINES. THIS MAY RESULT IN INJURY OR ELECTROCUTION TO UTILITY WORKERS NEARBY. MAKE SURE THE GENERATOR IS SUPPLYING POWER TO AN ISOLATED OBJECT OR BUILDING THAT IS NOT CONNECTED TO ANY UTILITY LINES.

Use a hex-wrench to tighten the cable connections. The lug door is equipped with safety interlock switches that will trip the main circuit breaker and disable the voltage regulator, dropping the operator output to residual voltage, if the door is opened while the unit is operating.

⚠ WARNING

Never attempt to disable or modify the connection lug door safety switches. Equipment damage, personal injury or death may result.

A ground connection is located next to the connection lugs. The unit **MUST** be connected to a good earthen ground for proper operating safety. The generator neutral is bonded to ground when it is shipped from the factory. The bonding plate will need to be removed when the generator is used as a standby power source. **INSTALLATION SHOULD BE IN COMPLIANCE WITH THE NATIONAL ELECTRIC CODE (NEC), AS WELL AS ANY STATE OR LOCAL CODES OR REGULATIONS.**



GENERATOR CAM LOCK CONNECTIONS OPTION

The generator may be equipped with cam lock connections, located behind the lug door next to the customer convenience outlets. These receptacles provide connection points for attachment of external loads to the generator. A large decal on the inside of the connection lug door details the proper connections for selected voltages.

▲ WARNING

It is **RECOMMENDED** that only a trained and licensed electrician perform any wiring and related connections to the generator. Installation should be in compliance with the **NATIONAL ELECTRIC CODE (NEC)** as well as any local or state guidelines as required by law. Failure to follow proper installation requirements may result in equipment or property damage, personal injury or death.

▲ WARNING

Before any connections are made to the generator, make sure that the main circuit breaker and the engine start switch are in the “OFF/O” position and that the negative (-) battery cable is disconnected. Potentially lethal voltages may be present at the generator cam lock receptacles.

▲ DANGER

IMPROPER OR INCORRECT CONNECTIONS TO A BUILDING'S ELECTRICAL SYSTEM CAN CAUSE POTENTIALLY LETHAL VOLTAGE TO BACKFEED INTO UTILITY LINES. THIS MAY RESULT IN INJURY OR ELECTROCUTION TO UTILITY WORKERS NEARBY. MAKE SURE THE GENERATOR IS SUPPLYING POWER TO AN ISOLATED OBJECT OR BUILDING THAT IS NOT CONNECTED TO ANY UTILITY LINES.

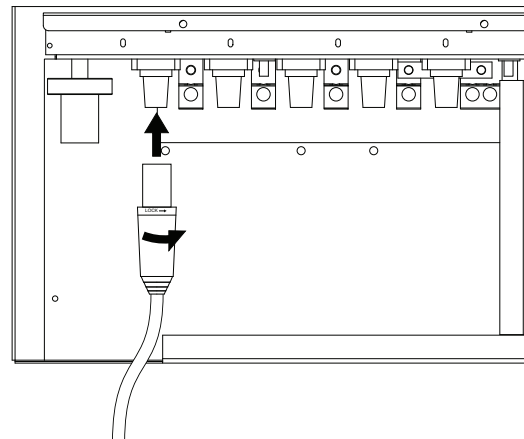
Connections should be made by plugging power cables equipped with series 16 taper nose 400A/600V cam lock plugs into the cam lock receptacles. Secure the connection by rotating the plug a 1/2 turn to the right. The connection lug door is equipped with safety interlock switches that will trip the main circuit breaker and disable the voltage regulator, dropping the operator output to residual voltage, if the door is opened while the unit is operating.

▲ WARNING

Never attempt to disable or modify the connection lug door safety switches. Equipment damage, personal injury or death may result.

A ground connection is located on the far right of the cam lock panel. The unit **MUST** be connected to a good earthen ground for proper operating safety. The generator neutral is bonded to ground when it is shipped from the factory. The bonding plate will need to be removed when the generator is used as a standby power source. **INSTALLATION SHOULD BE IN COMPLIANCE WITH THE NATIONAL ELECTRIC CODE (NEC), AS WELL AS ANY STATE OR LOCAL CODES OR REGULATIONS.**

L1	Black
L2	Red
L3	Blue
N (Neutral)	White
G (Ground)	Green

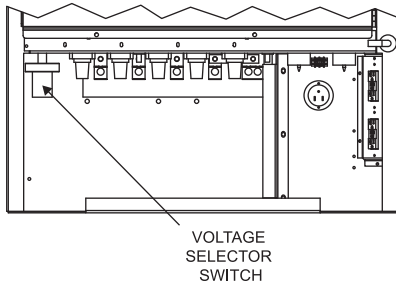


VOLTAGE SELECTOR SWITCH

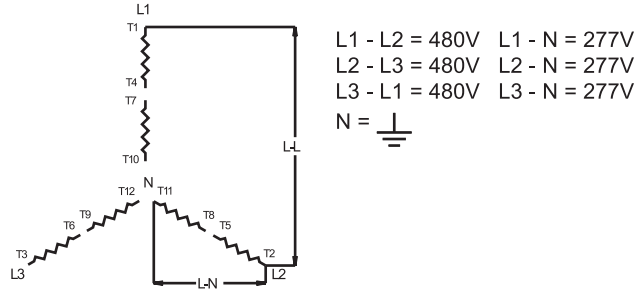
The voltage selector switch is located under the control panel, next to the output connection lugs. The selector switch is a three position switch that mechanically changes the connections between the generator output leads and the connection lugs or optional cam lock connectors. Voltage ranges are selected by rotating the handle on the switch to the desired voltage.

NOTICE

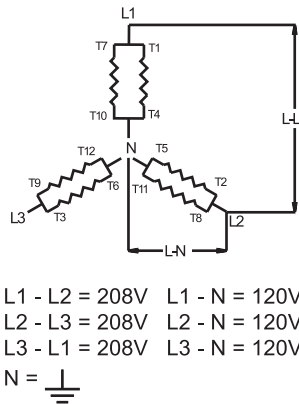
NEVER CHANGE THE VOLTAGE SELECTOR SWITCH WHILE THE ENGINE IS RUNNING! This will cause severe arcing and damage to the switch and generator windings.



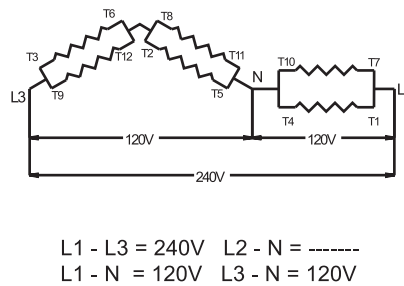
480/277V 3-PHASE



208/120V 3-PHASE



240/120V 1-PHASE



The connection lug door is equipped with safety interlock switches. If the door is opened while the unit is operating the safety interlock switches will trip the main circuit breaker and disable the voltage regulator. The generator output will drop down to residual voltage.

⚠ WARNING

Never attempt to disable or modify the lug door safety switches. Equipment damage, personal injury or death may result.

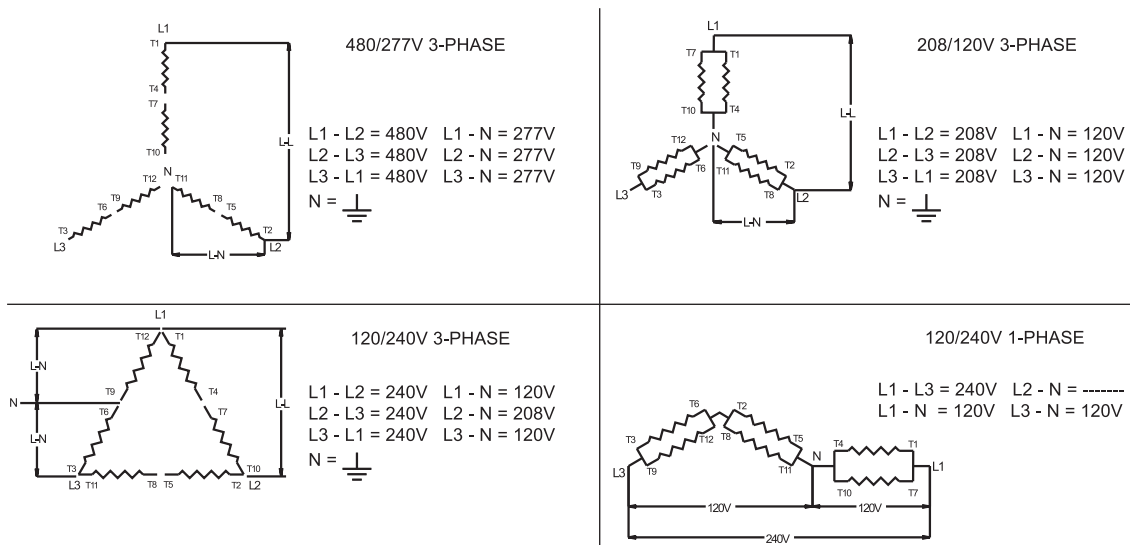
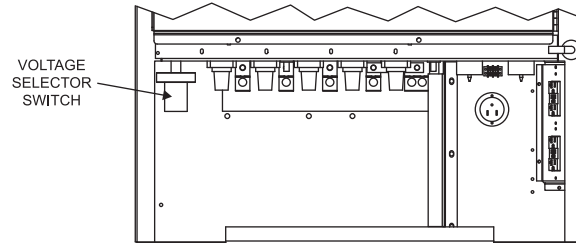
Note: UNITS WITHOUT A CONVENIENCE OUTLET BUCK TRANSFORMER: When the voltage selector switch is in position for 480/277V 3Ø, voltage at the two GFCI duplex convenience outlets is 139 volts and the voltage at the two twist-lock outlets is 240/139 volts. When the voltage selector switch is in position for 208/120V 3Ø, voltage at the two twist-lock outlets and the two GFCI duplex convenience outlets is 208/120 volts.

4-POSITION VOLTAGE SELECTOR SWITCH OPTION

The voltage selector switch is located under the control panel, next to the connection lugs. This optional selector switch is a four position switch that mechanically changes the connection between the generator output leads and the connection lugs or optional cam lock connectors. Voltage ranges are selected by rotating the handle on the switch to the desired voltage.

NOTICE

NEVER CHANGE THE VOLTAGE SELECTOR SWITCH WHILE THE ENGINE IS RUNNING! This will cause severe arcing and damage to the switch and generator windings.



The connection lug door is equipped with safety interlock switches. If the door is opened while the unit is operating the safety interlock switches will trip the main circuit breaker and disable the voltage regulator. The generator output will drop down to residual voltage.

⚠ WARNING

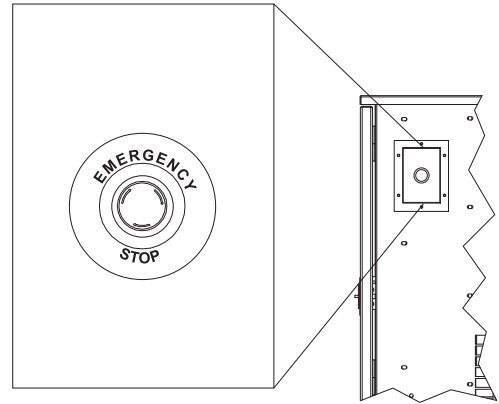
Never attempt to disable or modify the lug door safety switches. Equipment damage, personal injury or death may result.

Note: UNITS WITHOUT A CONVENIENCE OUTLET BUCK TRANSFORMER: When the voltage selector switch is in position for 480/277V 3Ø, voltage at the two GFCI duplex convenience outlets is 139 volts, and the voltage at the two twist-lock convenience outlets is 240/139 volts. When the voltage selector switch is in position for 208/120V 3Ø, voltage at the two GFCI duplex convenience outlets is 120 volts, and the voltage at the two twist-lock convenience outlets is 208/120 volts. When the voltage selector switch is in position for 120/240V 3Ø (DELTA), voltage at the two GFCI duplex convenience outlets is 120 Volts, and the **TWO TWIST-LOCK OUTLETS SHOULD NOT BE USED**. When the voltage selector switch is in position for 120/240V 1Ø, voltage at the two GFCI duplex convenience outlets is 120 volts, and the voltage at the two twist-lock outlets is 120/240 volts.

EMERGENCY STOP SWITCH

The generator is equipped with one “EMERGENCY STOP” switch, located on the rear corner of the unit next to the control panel door. The switch is clearly labeled with “EMERGENCY STOP” and is red. The switch can be accessed and activated with all doors closed and locked.

Activate the “EMERGENCY STOP” switch by pushing the red button in until it locks down. This will trip the main circuit breaker which will open the contact disconnecting the load to the connection lugs. This will also open the fuel circuit, shutting down the engine. The “Emergency Stop” fault will be displayed on the LCD. The switch will remain closed until it is pulled out.



NOTICE

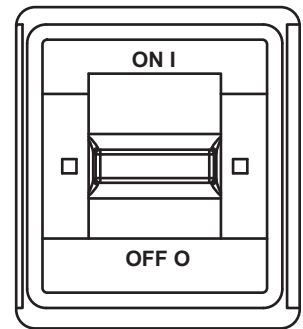
Use the “EMERGENCY STOP” switch only when the generator must be shut down immediately. For any other shut down, refer to [“Shutting Down The Generator” on page 29](#).

MAIN CIRCUIT BREAKER

The main circuit breaker is located on the main control panel. When the breaker is in the “OFF/O” position, power is interrupted between the customer connection lugs, optional cam lock connectors and the generator. Once the connections have been made to the connection lugs and the generator has been started and allowed to reach normal operating temperature, the breaker may be switched to the “ON/I” position.

The main circuit breaker will be tripped, disconnecting power to the connection lugs if any of the following items occur while the unit is running:

1. Overload of the generator circuits to the connection lugs (208/120V only).
2. The door covering the customer connection lugs is opened.
3. If the “EMERGENCY STOP” switch is activated.



Make sure any problems that cause the main circuit breaker to trip are corrected before returning the switch to the “ON/I” position.

▲ WARNING

The main circuit breaker interrupts power to the customer connection lugs and optional cam lock connectors only! The customer convenience outlets have power even if the main circuit breaker is in the “OFF/O” position. To disconnect power to the convenience outlets, use the individual circuit breakers located near each outlet.

VOLTAGE REGULATION

The electronic voltage regulator controls the output of the generator by regulating the current into the exciter field. The regulator has three screwdriver adjustable potentiometers that may be adjusted for voltage, stability and voltage roll-off (U/F). The voltage regulator on the unit is adjusted before shipment from the factory. Contact Magnum Power Products LLC for additional information before attempting to adjust the voltage regulator.

Note: For units equipped with a Marathon DVR2000E+ digital voltage regulator, please refer to the Marathon operating manual provided with the unit.

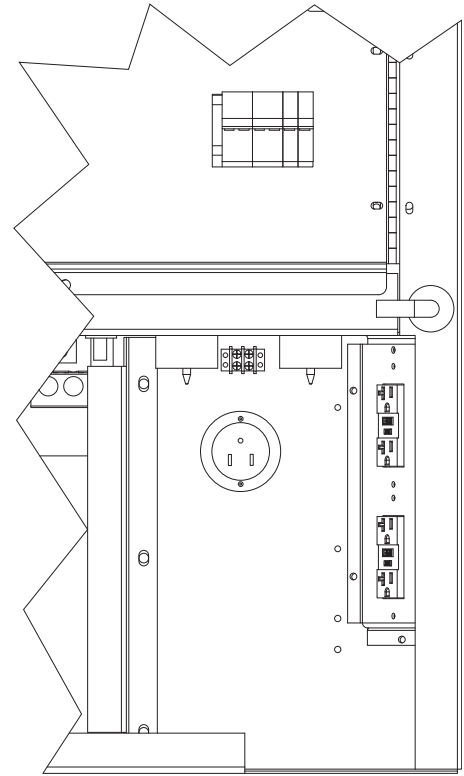
CUSTOMER CONVENIENCE OUTLETS

The generator is equipped with four convenience outlets. The large outlets are 240/120VAC twist-lock receptacles rated at 50A each. The smaller outlets are 120VAC duplex receptacles rated at 20A each with ground fault circuit interrupt (GFCI) protection. These receptacles are not routed through the main circuit breaker. Each receptacle has its own circuit breaker, located directly above the receptacle panel, with the breaker sized to the maximum rating of the corresponding outlet.

NOTICE

Power to the outlets is available any time the generator is running, **EVEN IF THE MAIN CIRCUIT BREAKER IS “OFF/O”**. **MAKE SURE THAT ANY EQUIPMENT CONNECTED TO THE CONVENIENCE OUTLETS IS TURNED OFF BEFORE TURNING THE BREAKERS ON.** Make sure that the voltage selector switch is in the proper position and that the output voltage is correct for the equipment that is connected to the outlets. Improper voltage may cause equipment damage or malfunction.

Note: When the voltage selector switch is in position for 480/277V 3Ø, voltage at the two GFCI duplex convenience outlets is 139 volts, and the voltage at the two twist-lock outlets is 240/139 volts. When the voltage selector switch is in position for 208/120V 3Ø, voltage at the two twist-lock outlets and the two GFCI duplex convenience outlets is 208/120 volts.



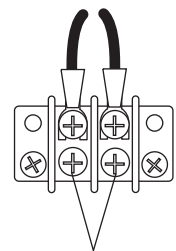
DERATING FOR ALTITUDE

All generator sets are subject to derating for altitude and temperature; this will reduce the available power for operation of tools and accessories connected to the auxiliary outlets. Typical reductions in performance are 2-4% for every 1000 ft. (305 m) of elevation and 1% per 10°F (-12°C) increase in ambient air temperature over 72°F (22°C).

REMOTE START TERMINAL BLOCK

The remote start terminal block is located between the two 240/120VAC twist-lock convenience outlets. It provides a connection for installation of a remote start switch which will allow the generator to be started by a remote dry-contact closure switch.

Before pressing the “AUTO” button, verify the contacts on any remote switch linked to the generator are **OPEN**. If the contacts on a remote switch are closed, the generator will crank and start when "AUTO" is selected. Attach the switch leads to the two unused terminals on the generator's remote start block. For additional information on starting the generator, refer to [“Manual Starting Of The Generator” on page 26](#).



Remote Start Switch Terminals

TRANSFER SWITCH

NOTICE

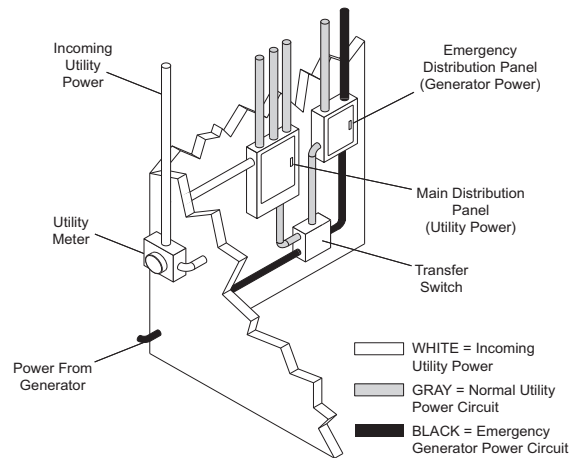
The generator neutral is bonded to ground when shipped from the factory. The bonding plate will need to be removed when the generator is used as a standby power source. Installation should be in compliance with National Electric Code (NEC), as well as any state and local codes or regulations.

When the generator is used as a standby power supply, it must be equipped with a transfer switch which isolates it from the utility's distribution system. A transfer switch is designed to transfer electrical loads from the normal power source (utility) to the emergency power source (generator) when normal voltage falls below a prescribed level. The transfer switch automatically returns the load back to the normal source when power is restored back to operating levels.

⚠ DANGER

FAILURE TO ISOLATE THE GENERATOR FROM THE NORMAL POWER UTILITY CAN CAUSE POTENTIALLY LETHAL VOLTAGE TO BACKFEED INTO THE UTILITY LINES. THIS MAY RESULT IN INJURY OR ELECTROCUTION OF UTILITY WORKERS NEARBY. MAKE SURE THAT THE GENERATOR IS ISOLATED BY A TRANSFER SWITCH FROM ANY LOCAL UTILITY LINES. THIS ALSO APPLIES IF THE GENERATOR IS BEING USED AS A BACKUP TO SOME OTHER TYPE OF POWER SUPPLY.

Installation of a transfer switch or other type of remote starting device is the responsibility of the generator user. Installation of such devices must be performed by following all directions supplied by the manufacturer of the switch. If attaching the generator to a power supply normally serviced by a utility company, notify the utility company and check local and state regulations. Familiarize yourself with all instructions and warning labels supplied with the switch.



⚠ WARNING

ONLY a licensed electrician should perform wiring and related connections to the generator. Installation should be in compliance of the National Electric Code (NEC) as well as any state or local codes or regulations. Failure to follow these procedures could result in property damage, personal injury or death. Before any connections are attempted, make sure the main circuit breaker and the engine start switch are in the "OFF/O" position and that the negative (-) battery cable has been disconnected from the engine starting battery.

NOTICE

When using the generator as a standby or substitute power supply, make sure the output voltage and phase rotation of the generator match those of the local power utility. Improper voltage or phase rotation may cause equipment damage or malfunction.

AUTO EXERCISE TIMER

Generators installed in a standby application should be exercised regularly to maintain operating condition and to ensure responsiveness in an emergency situation. The following procedure demonstrates how to run (exercise) the generator on a time schedule:

1. Press the "PAGE SELECT" button until "Password" appears at the top of the screen.
2. Press the down arrow "▼" button until "Date/Time" is selected and press "ENTER".
3. Press the down arrow "▼" button until "Timer1 Repeat" is selected and press "ENTER".
4. Choose the day or days the unit should run and press "ENTER".
5. Press the down arrow "▼" button until "Timer1 ON Time" is selected and press "ENTER."
6. Adjust the desired time to start running and press "ENTER."
7. Press the down arrow "▼" button until "Timer1Duration" is selected and press "ENTER."
8. Adjust the time period to the length of time the unit should run after starting and press "ENTER".
9. Press "PAGE SELECT" three times to return to the main menu.
10. Press the "AUTO" button to switch modes to automatic.

Note: The controller must be in "AUTO" mode to run at the programmed time. Use a trickle battery charger or solargizer to prevent the controller from draining the battery while in "AUTO" mode.

DAILY WALK AROUND INSPECTION

NOTICE

Failure to perform a daily inspection may result in serious damage to the prime mover.

Look for conditions that could hinder performance or safety, such as (but not limited to) oil/coolant/fuel leakage, blocked vents, loose/missing hardware, and electrical connections.

Visually inspect the fan belt for cracks, fraying, stretching, and verify the belt is properly seated in the pulley grooves. Replace the belt according to the manufacturer's recommendations.

Note: At the 500 hour/12 month service interval, it is recommended the belt be removed and checked for wear. While the belt is removed, inspect pulleys and bearings. Rotate and feel for hard turning or unusual sounds. If pulleys or bearings need replacement contact the engine manufacturer.

ENGINE AND GENERATOR MAINTENANCE

Check the engine oil level daily before starting the engine. **DO NOT** start the generator if the oil level is below the "ADD" mark on the dipstick. The normal operating level for the engine oil is anywhere in the crosshatch pattern between the "FULL" and "ADD" markings. Add oil to the engine only if the level is below the "ADD" mark on the bottom of the crosshatch pattern. **DO NOT OVERFILL** the crankcase. Consult the engine operator's manual for the proper grade of oil, including special operating conditions such as a change in season or climate.

Check the coolant level daily. The coolant is checked by visually inspecting the level in the coolant overflow jug, located near the radiator. The normal operating level is anywhere between the "FULL" and "ADD" markings on the overflow jug, with the optimum level noted as "NORMAL RANGE". Coolant may be added directly to the overflow jug **WHEN THE ENGINE IS STOPPED AND COMPLETELY COOL**. Consult the engine operator's manual for coolant recommendations and proper mixture.

Check the condition of the air filter by viewing the level of vacuum draw on the filter minder gauge. Replace the air filter when the yellow center bar reaches the red section on the gauge (20 in. H₂O).

Poorly maintained equipment can become a safety hazard! In order for the equipment to operate safely and properly over a long period of time, periodic maintenance and occasional repairs are necessary. **NEVER** perform even routine service (oil/filter changes, cleaning, etc.) unless all electrical components are shut off. When servicing this equipment always follow the instructions listed below.

- Make sure the engine start switch is turned to the "OFF/O" position.

- Verify all circuit breakers are open (OFF, “O”).
- Activate (push in) the “EMERGENCY STOP” switch.
- Disconnect the negative (-) terminal on the battery.
- Attach a “DO NOT START” sign to the control panel. This will notify everyone the unit is being serviced and will reduce the chance of someone inadvertently trying to start the unit.
- If the unit is connected to a remote start or transfer switch, make sure the remote switch is also off and tagged.
- Never wash the unit with a high pressure hose or with any kind of power washer.
- Never wash the engine block or fuel tank with a power washer or steam cleaner. Water may enter the cabinet and collect in the generator windings or other electrical parts, causing damage.
- If the unit is stored outside, check for water inside the cabinet and generator before each use. If wet, dry the unit thoroughly before starting.

BASIC MAINTENANCE SCHEDULE - ISUZU ENGINE

NOTICE

Refer to the original equipment manufacturer’s operating manual for a complete list of maintenance requirements. Failure to comply with the procedures as described in the engine operator’s manual will nullify the warranty, decrease performance and cause equipment damage or premature equipment failure.

Use the schedule in the following table as a guide for regular maintenance intervals. For additional or replacement copies of the engine operator’s manual, contact an authorized dealer in your area.

Item	Daily	250 Hrs.	500 Hrs.
Check oil level	◆		
Check coolant level	◆		
Check fuel level	◆		
Drain fuel filter	◆		
Check tire pressure	◆		
Check all electrical connections	◆		
Clean battery	◆		
Check fan belt tension (Replace if necessary)	◆		
Inspect radiator fins for debris, clean as required	◆		
Preheating condition check	◆		
Check engine starting conditions and noise conditions	◆		
Check exhaust smoke condition	◆		
Replace engine oil		◆	
Replace fuel filter element		◆	
Clean water sediment element		◆	
Electromagnetic pump filter replacement or cleaning		◆	
Check fan belt tension (Replace if necessary)			◆
Oil filter element replacement			◆
Replace air filter element			◆
Lubricate leveling jacks			◆
Check generator drive plate torque (Refer to <i>“Checking Generator Drive Plate Torque” on page 47</i>)			◆

BASIC MAINTENANCE SCHEDULE - KUBOTA ENGINE

NOTICE

Refer to the original equipment manufacturer's operating manual for a complete list of maintenance requirements. Failure to comply with the procedures as described in the engine operator's manual will nullify the warranty, decrease performance and cause equipment damage or premature equipment failure.

Use the schedule in the following table as a guide for regular maintenance intervals. For additional or replacement copies of the engine operator's manual, contact an authorized dealer in your area.

Maintenance Action	Daily	50 Hrs.	250 Hrs.	500 Hrs.	1 Year	2 Years
Check oil level	◆					
Check coolant level	◆					
Check fuel level	◆					
Check tire pressure	◆					
Check all electrical connections	◆					
Inspect radiator fins for debris, clean as required	◆					
Check fuel pipes and clamp bands		◆				
Drain water separator		◆				
Change engine oil		◆*	◆*			
Clean air cleaner element			◆			
Clean fuel filter			◆			
Check fan belt tightness			◆			
Check radiator hoses and clamp bands			◆			
Check intake air line			◆			
Replace oil filter cartridge		◆*		◆*		
Replace fuel filter cartridge				◆		
Remove sediment in fuel tank				◆		
Clean water jacket (radiator interior)				◆		
Replace fan belt				◆		
Clean water separator				◆		
Lubricate leveling jacks				◆		
Check generator drive plate torque (Refer to "Checking Generator Drive Plate Torque" on page 47)				◆		
Replace air cleaner element					◆**	
Change radiator coolant (L.L.C.)						◆
Replace radiator hoses and clamp bands						◆

* Change the engine oil and oil filter after the initial 50 hours of operation, then at the appropriate interval thereafter.

** Replace the air cleaner element yearly, or after six cleanings, whichever occurs first.

BASIC MAINTENANCE SCHEDULE - JOHN DEERE ENGINE

NOTICE

Refer to the original equipment manufacturer's operating manual for a complete list of maintenance requirements. Failure to comply with the procedures as described in the engine operator's manual will nullify the warranty, decrease performance and cause equipment damage or premature equipment failure.

Use the schedule in the following table as a guide for regular maintenance intervals. For additional or replacement copies of the engine operator's manual, contact an authorized dealer in your area.

Item	Daily	250 Hrs.	500 Hrs./12 Months	2000 Hrs./ 24 Months	As Required
Check oil level	◆				
Check coolant level	◆				
Check fuel level	◆				
Check tire pressure	◆				
Check all electrical connections	◆				
Inspect radiator fins for debris, clean as required	◆				
Check fuel filter	◆				
Check air cleaner dust unloader valve and indicator	◆*				
Perform visual walkaround inspection	◆				
Check oil vapor recirculation system/non-return valve		◆			
Replace oil vapor recirculation filter			◆		
Change engine oil and replace oil filter			◆**		
Replace fuel filter element			◆		
Check air intake system			◆		
Check belt tensioner spring tension and belt wear			◆		
Check engine electrical ground connection			◆		
Check engine mounts			◆		
Service battery			◆		
Check cooling system			◆		
Lubricate leveling jack(s)			◆		
Check generator drive plate torque (Refer to " Checking Generator Drive Plate Torque " on page 47)			◆		
Test thermostats				◆	
Add coolant					◆
Replace air cleaner elements					◆
Replace poly-vee belt					◆
Check fuses					◆
Bleed fuel system					◆

* Replace primary air cleaner when dust valve restriction indicator gauge shows a vacuum of 25 in. H₂O.

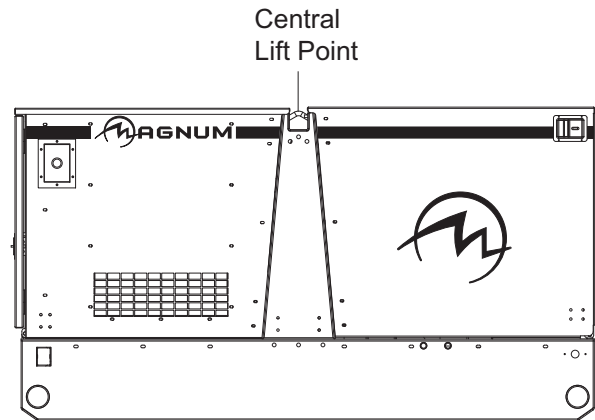
** Change the oil and oil filter after the first 100 hours, then every 250 hours. If John Deere Plus 50 II engine oil is used, the interval can be increased to every 500 hours.

BELT TENSIONERS

Kubota and Isuzu engines use only manual belt tensioners. John Deere engines use two types of belt tensioners: manual and automatic. Adjust the belt using the manual tensioner according to the manufacturer's specifications. The automatic tensioner cannot be adjusted or repaired and is designed to maintain proper tension over the belt's life. Units with the automatic belt tensioner must be inspected according to the manufacturer's specifications.

LIFTING THE GENERATOR

A central lift point is located on the top of the generator. The central lift point is connected to a lift structure inside the unit. Attach a sling or hook directly to the central lift point only if the devices are in good condition and the equipment being used to raise the unit has sufficient capacity. For approximate weights refer to the Specifications section, [pages 9 - 12](#). Always remain aware of others around you when moving or lifting the generator. Keep the cabinet doors closed and locked.

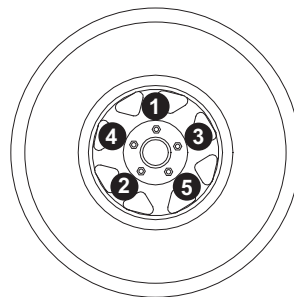


TOWING THE TRAILER

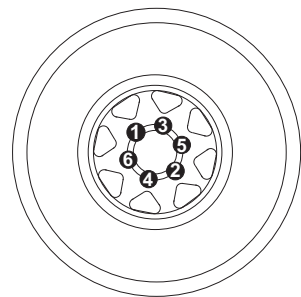
1. Use the jack to raise or lower the trailer onto the hitch of the towing vehicle. Lock the hitch coupling and attach the safety chains or cables to the vehicle. Release the jack locking pin and rotate the jack into the travel position. Make sure the locking pin snaps into place.
2. Connect any trailer wiring to the tow vehicle. Check for proper operation of the stop and signal lights.
3. Make sure all doors are closed and secure.
4. Check for proper inflation of the trailer tires. For maximum tire pressures, refer to the Specifications section, [pages 9 - 12](#).
5. Check the wheel lugs, tighten or replace any that are loose or missing. If a tire has been removed for axle service or replaced, tighten the lugs in the order shown to the following specifications:
 - A. Start all lug nuts by hand.
 - B. First pass tighten to 20-25 ft-lbs (27-33 Nm).
 - C. Second pass tighten to 50-60 ft-lbs (67-81 Nm).
 - D. Third pass tighten to 90-120 ft-lbs (122-162 Nm).

Note: After the first road use, re-torque the lug nuts in sequence.

6. Maximum recommended speed for highway towing is 45 mph (72 km/h). Recommended off-road towing speed is not to exceed 10 mph (16 km/h) or less, depending on terrain.



5-Stud Sequence



6-Stud Sequence

TRAILER WHEEL BEARINGS

Some trailers are equipped with a grease zerk fitting to allow lubrication of the wheel bearings without the need to disassemble the axle hub. To lubricate the axle bearings, remove the small rubber plug on the grease cap, attach a standard grease gun fitting to the grease zerk fitting and pump grease into the fitting until new grease is visible around the nozzle of the grease gun. Use only a high quality grease made specifically for lubrication of wheel bearings. Wipe any excess grease from the hub with a clean cloth and replace the rubber plug when finished. The minimum recommended lubrication is every 12 months or 12,000 miles (19,312 km). More frequent lubrication may be required under extremely dusty or damp operating conditions.

JACK MAINTENANCE

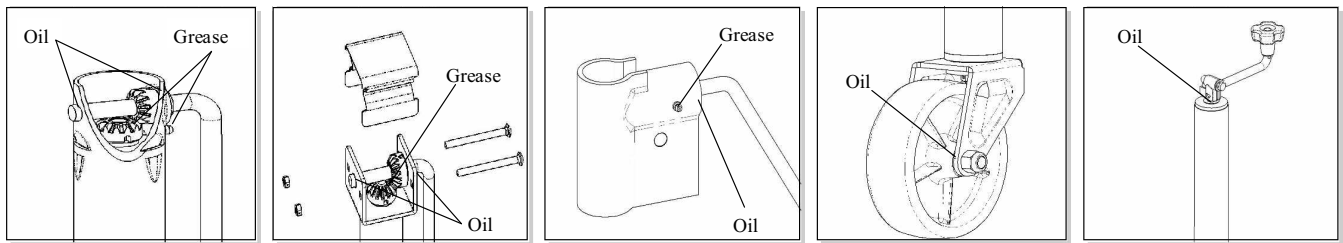
The following procedures should be performed at least annually.

SIDE-WIND MODELS

- The internal gearing and bushings of the jack must be kept lubricated. Apply a small amount of automotive grease to the internal gearing by removing the jack cover, or if equipped, use a needle nose applicator or standard grease gun on the lubrication point found on the side of the jack near the crank. Rotate the jack handle to distribute the grease evenly.
- A lightweight oil must be applied to the handle unit at both sides of the tube.
- If equipped, the axle bolt and nut assembly of the caster wheel must also be lubricated with the same light weight oil.

TOP-WIND MODELS

- Apply a lightweight oil to the screw stem.



CHECKING GENERATOR DRIVE PLATE TORQUE

Follow the procedure below to check the torque of the generator drive plate bolts in accordance with the maintenance chart.

1. Disconnect the engine starting battery.
2. Remove the generator fan guard.
3. Torque each of the drive plate bolts to the appropriate specification shown in the table below.

Unit	ft-lb (Nm)
MMG25FHI	36 (49)
MMG35FHD	41 (56)

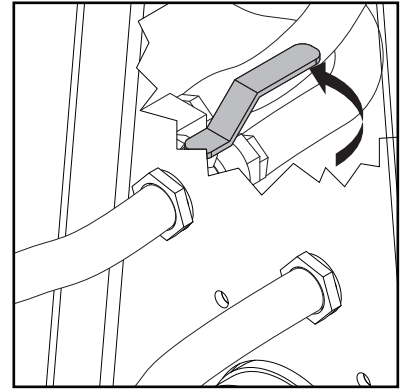
Unit	ft-lb (Nm)
MMG45FHK	41 (56)
MMG55FHD	41 (56)

4. Reinstall the generator fan guard. Reconnect the battery.

AUXILIARY FUEL TANK OPTION

The auxiliary fuel tank option is designed so the unit can run from an external fuel tank. The unit is still programmed to shut down when the internal tank's fuel level drops below 5%. In order for the unit to run off of an auxiliary tank, the fuel level in the internal tank must remain over 5%. To operate the unit using an auxiliary fuel tank, use the following procedure:

1. Shut down the unit and check that the level of fuel in the tank is above 5%.
2. Attach the auxiliary fuel tank's fuel lines to the "AUXILIARY FUEL INLET" and "AUXILIARY FUEL OUTLET" fittings on the unit.
3. Open the "AUXILIARY FUEL INLET" and "AUXILIARY FUEL OUTLET" valves located above the fuel fill cap behind the lift structure.



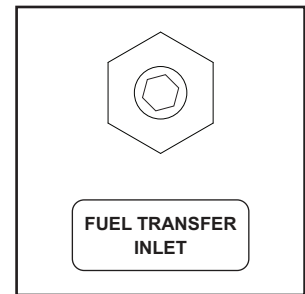
FUEL TRANSFER PUMP OPTION

The fuel transfer pump option allows the fuel tank to be refilled from an external bulk fuel source. When the fuel transfer switch is on, anytime the fuel level drops below 15% the fuel transfer pump will begin pumping fuel from an external bulk fuel source into the fuel tank on the unit. The fuel transfer pump will shut off when the fuel level of the internal tank reaches 90%. The pump will also be monitored to ensure a certain percentage increase in fuel level over a given period of time to prevent the pump from running dry. To operate the fuel transfer system, use the following procedure:

1. Shut down the unit.

Note: If the external bulk fuel supply is already connected, the unit does not have to be shut down to turn the fuel transfer pump option on or off.

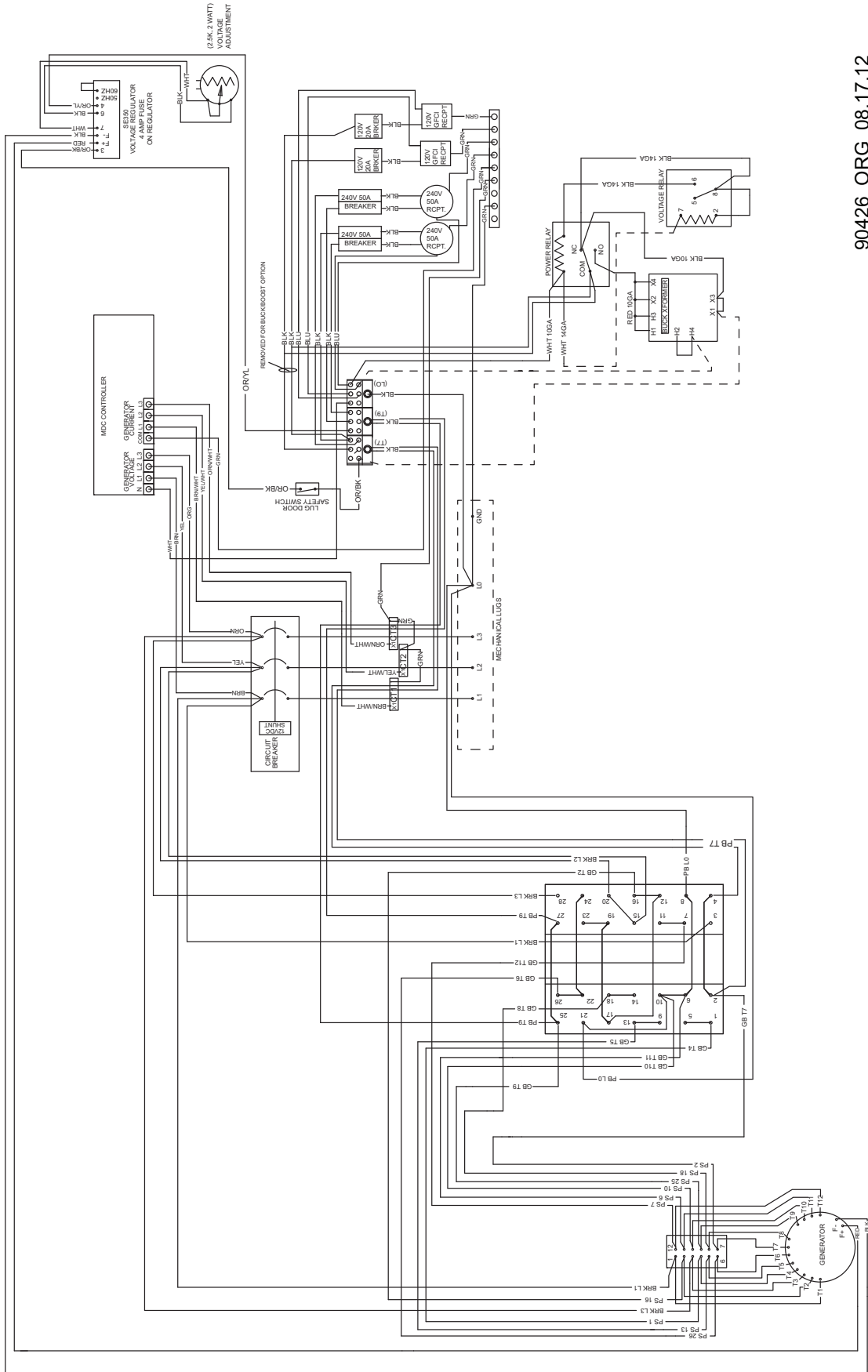
2. Attach the external bulk fuel supply to the "FUEL TRANSFER INLET" fitting on the unit.
3. Turn on the fuel transfer switch.



VISCOUS FAN CLUTCH OPTION

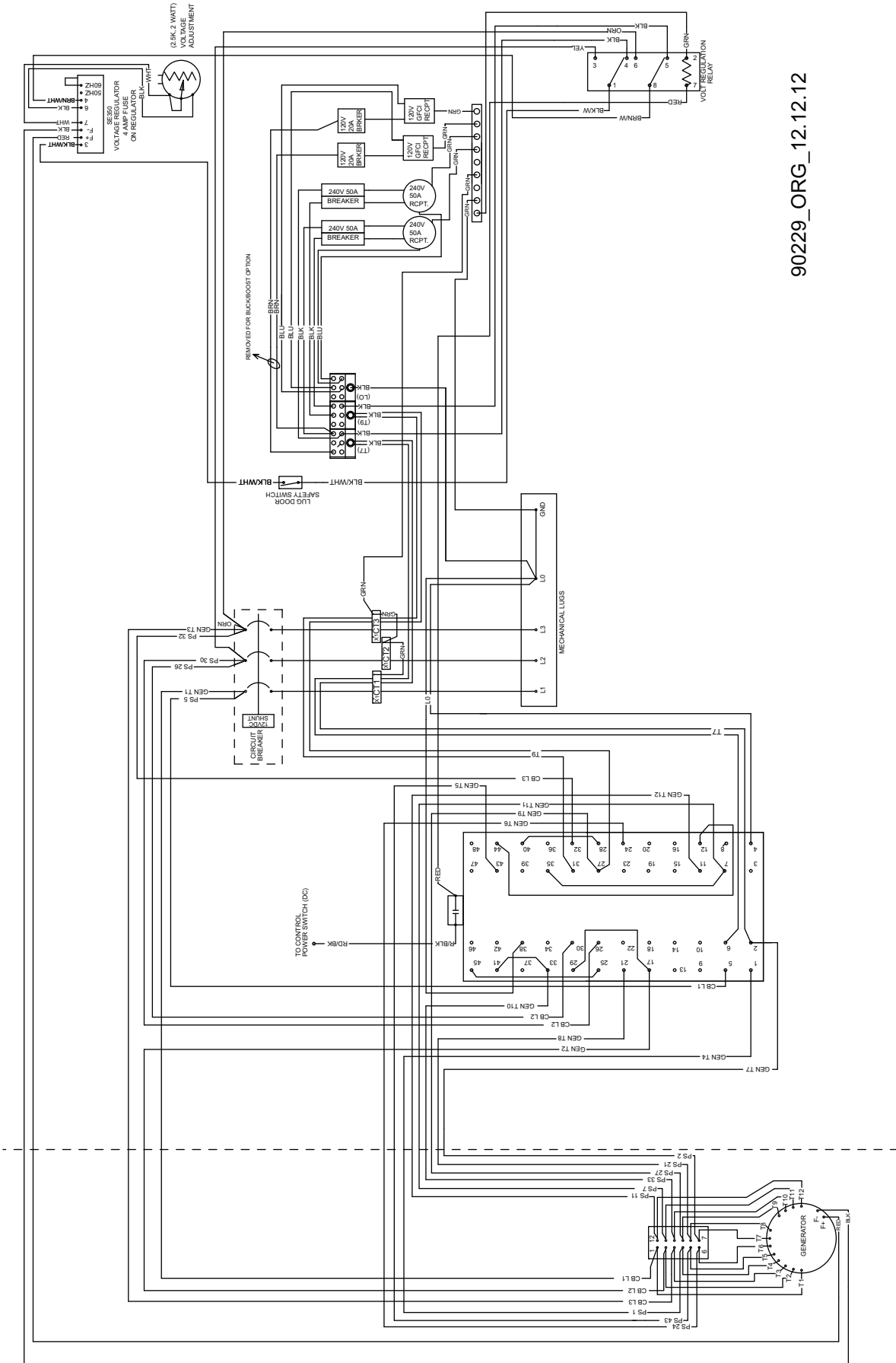
The viscous fan clutch option allows the engine cooling fan to engage at lower speeds and disengage at higher speeds, increasing cooling system efficiency. The cooling fan will engage at full speed when the coolant temperature rises. When the fan is operating at full speed, it will switch to a slower speed when the coolant temperature drops. There will be an audible difference when the engine cooling fan switches speeds. Depending on unit model, the temperature ranges vary between 170-200°F (77-93°C).

AC WIRING DIAGRAM



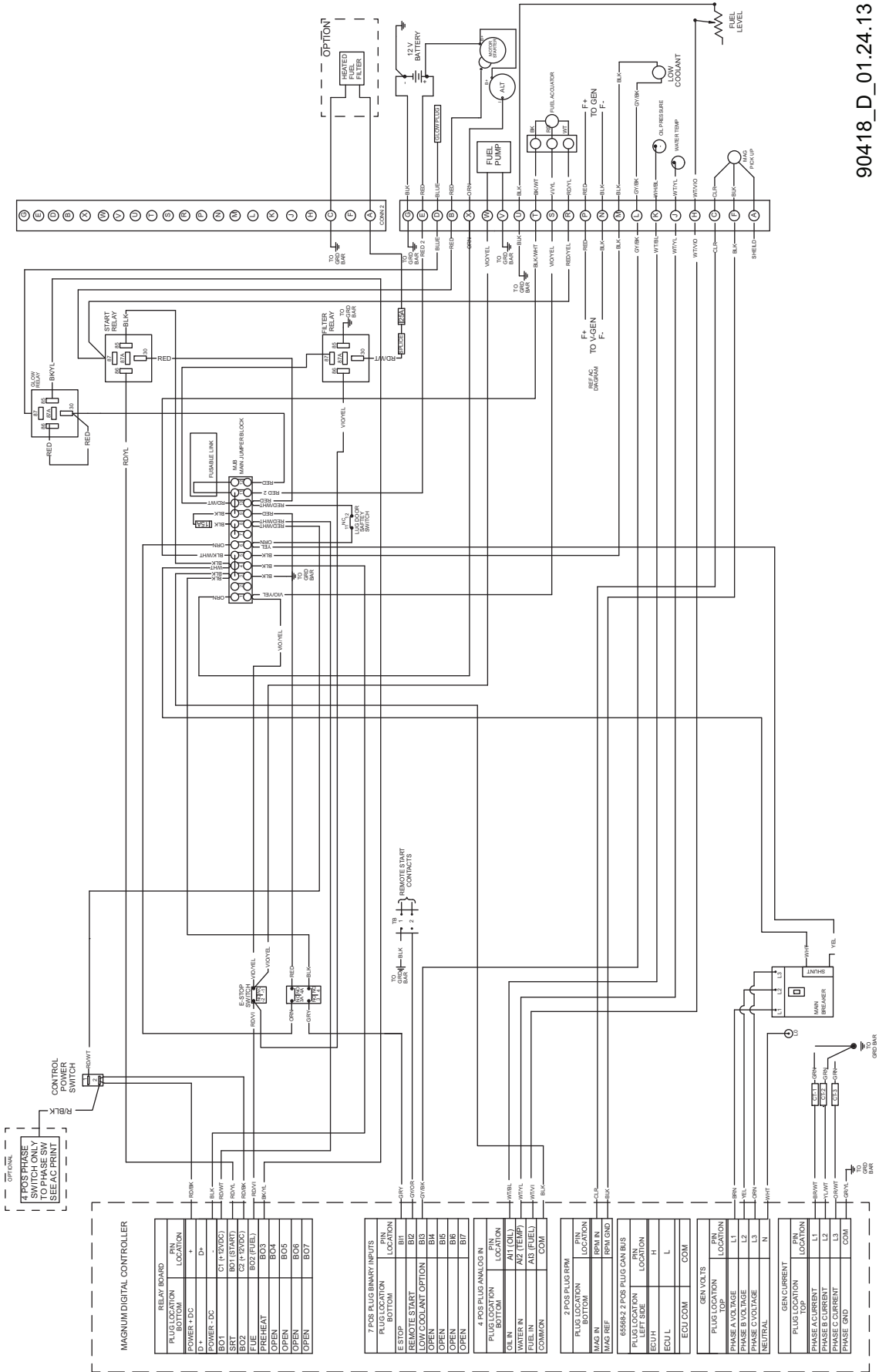
90426_ORG_08.17.12

AC WIRING DIAGRAM - 4-POSITION VOLTAGE SELECTOR SWITCH OPTION



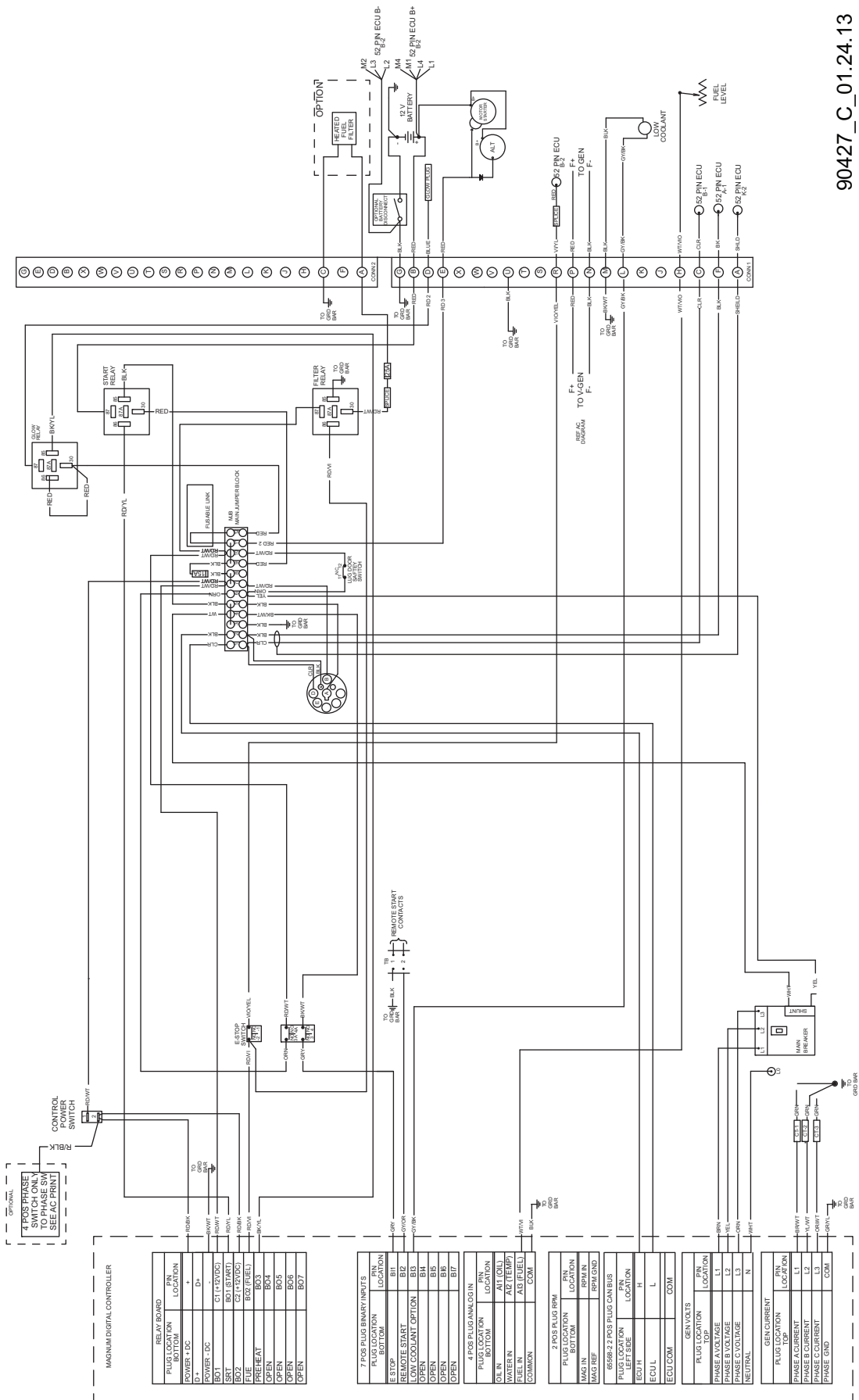
90229_ORG_12.12.12

DC WIRING DIAGRAM - MMG25FH1



90418_D_01.24.13

DC WIRING DIAGRAM - MMG55FHD

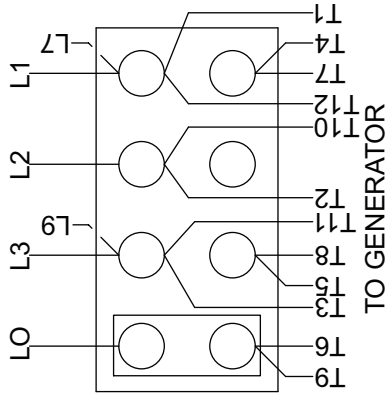


90427_C_01.24.13

WIRING BLOCK DIAGRAM - DEDICATED 12 LEAD GENERATORS OPTION

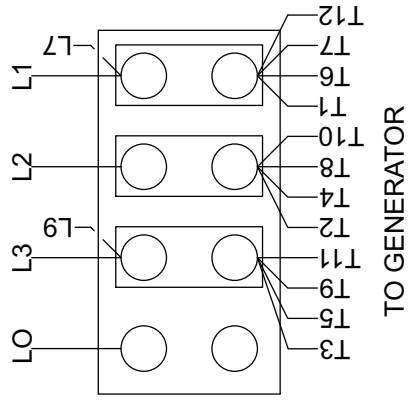
240/120V 3PH

HIGH DELTA
TO CONTROL BOX



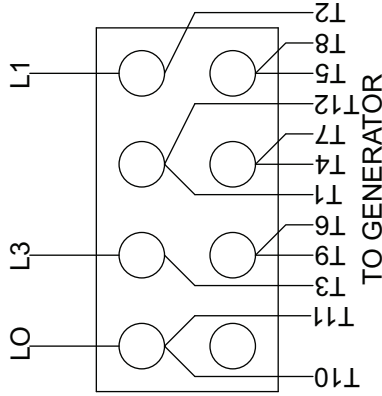
120V 3PH

LOW DELTA
TO CONTROL BOX



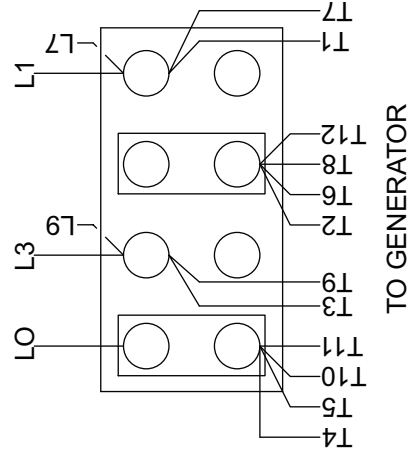
480/240V 1 PH

HIGH ZIG ZAG
TO CONTROL BOX



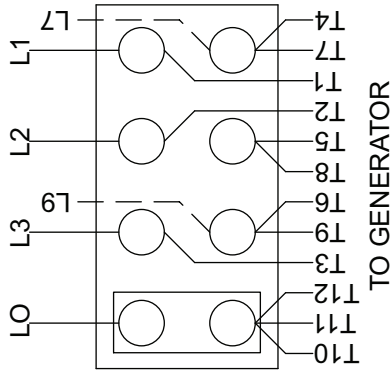
240/120V 1 PH

LOW ZIG ZAG
TO CONTROL BOX



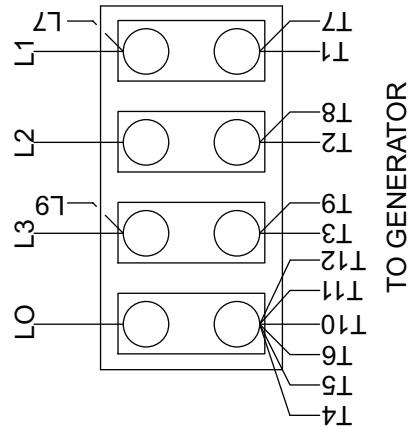
480/277V 3PH

HIGH WYE
TO CONTROL BOX



208/120V 3PH

LOW WYE
TO CONTROL BOX

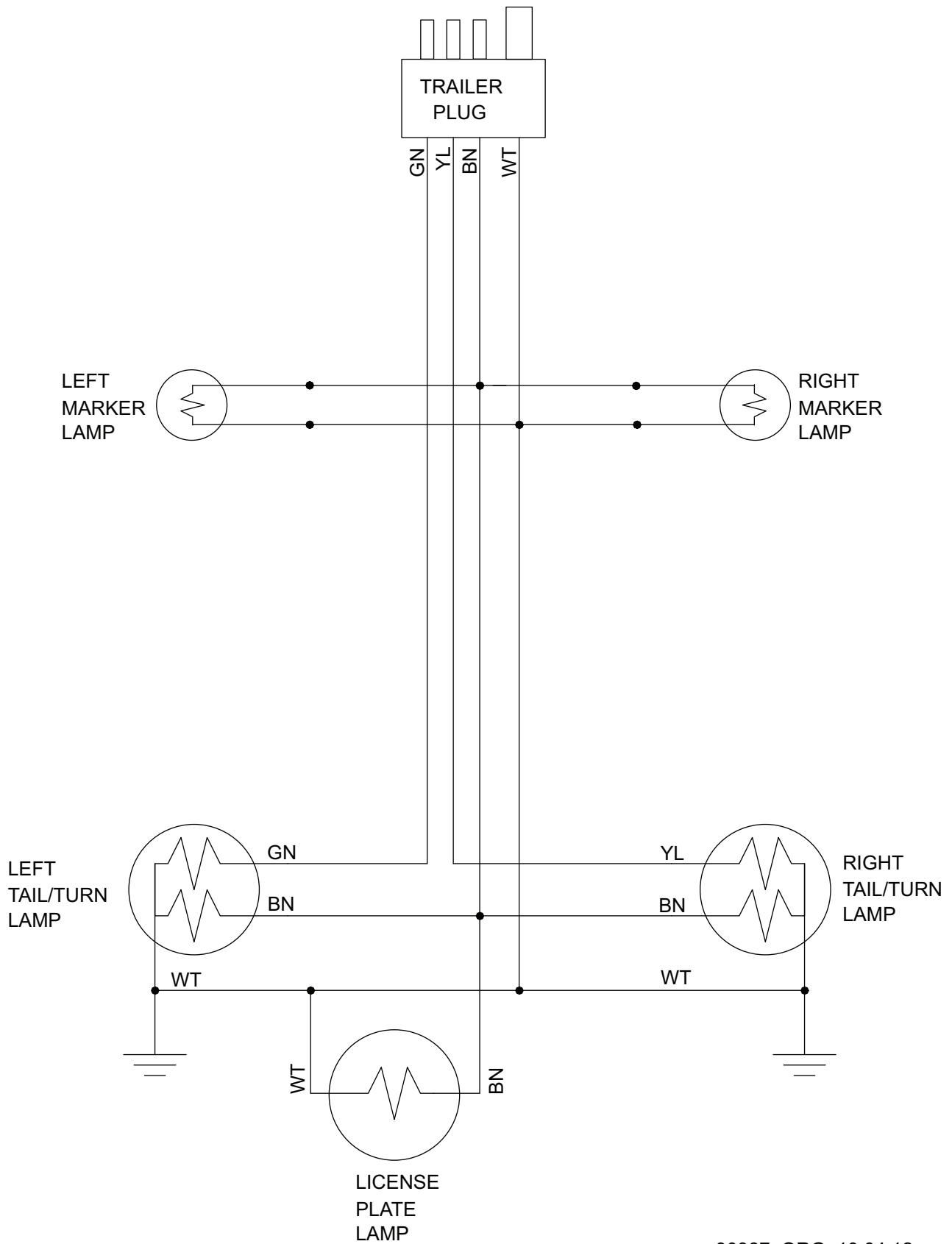


NOTE:

1. CABLES TO CONTROL BOX MAY CONTAIN 1, 2 OR 3 WIRES DEPENDING ON THE MODEL AND VOLTAGE.
2. APPLIES TO ALL 12 LEAD GENERATORS TO BE HARD WIRED IN GEN BOX.

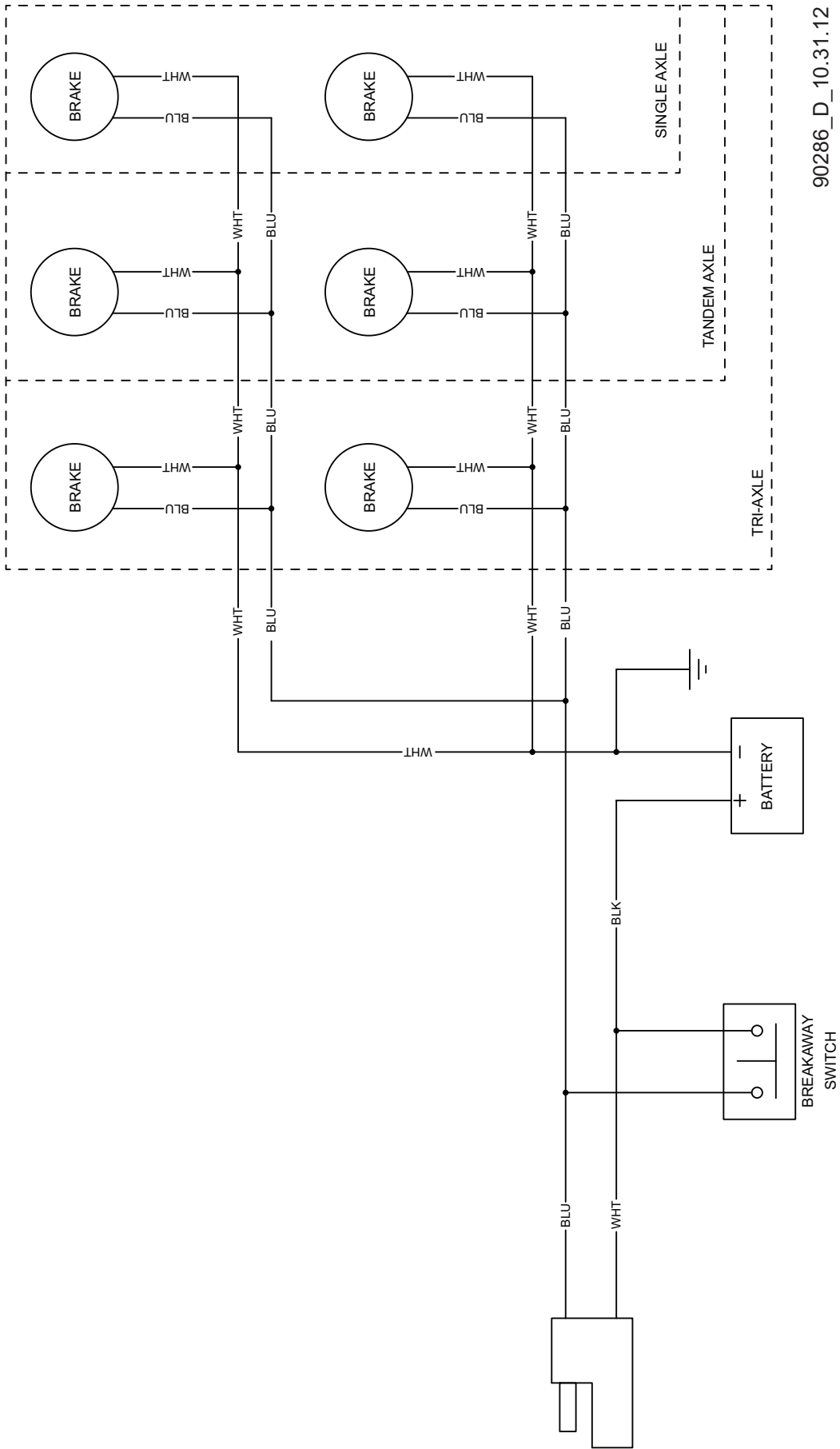
90302_A_11.06.12

TRAILER LIGHTS WIRING DIAGRAM



90387_ORG_10.04.12

WIRING HARNESS - ELECTRIC BRAKE OPTION



90286_D_10.31.12

REV: B
PART NO: 29663
05.07.13